



FEATURES:

- AC-DC Constant Current LED Driver
- Universal Input: 90-265VAC, 47-63Hz
- Short circuit protection
- RoHS compliant
- Waterproof IP67
- Over current protection
- Over voltage protection
- Low output ripple



Models
Single output

Model	Input Voltage (VAC/Hz)	Output Voltage Range (V)	Output Current (mA)	Efficiency (%)	Max Output Power (W)
AMEPR8-2435KZ	90-265/ 47-63	2-24	325 ±25	80	8.4
AMEPR7-1260KZ	90-265/ 47-63	2-12	600 ±30	80	7.2
AMEPR8-1270KZ	90-265/ 47-63	2-12	700 ±30	80	8.4

NOTE: All specifications in this datasheet are measured at an ambient temperature of 25°C, humidity<75%, nominal input voltage and at rated output load unless otherwise specified.

Input Specifications

Parameters	Conditions	Typical	Maximum	Units
Voltage range		90-265VAC		VAC
Inrush current <2ms	115V		10	A
	230V		20	
Leakage current	230V	0.25		mA
AC current	115V		0.08	A
	230V		0.05	
No-load consumption			0.8	W
External fuse			250V/1.5A	

Output Specifications

Parameters	Conditions	Typical	Maximum	Units
Current accuracy			±10	%
Line regulation	LL-HL		±5	%
Load regulation	2V to 100% load		±10	%
Ripple & Noise	20MHz Bandwidth	150		mV p-p
Hold-up time (min)	100% load	4	8	ms

Isolation Specifications

Parameters	Conditions	Typical	Maximum	Units
Tested I/O voltage	5mA/60Sec	3000	3750	VAC
Input FG		1500		VAC
Isolation resistance		>50		MΩ

General Specifications

Parameters	Conditions	Typical	Maximum	Units
Switching frequency		100		KHz
Over current protection		115		%
Over voltage protection		Zener Diode clamp		
Short circuit protection		Continuous, Auto recovery		
Operating temperature		-40 to +55		°C
Temperature Rise		25		°C
Storage temperature		-40 to +80		°C
Temperature coefficient		0.05		% / °C
Cooling		Free air convection		
Humidity			95	% RH

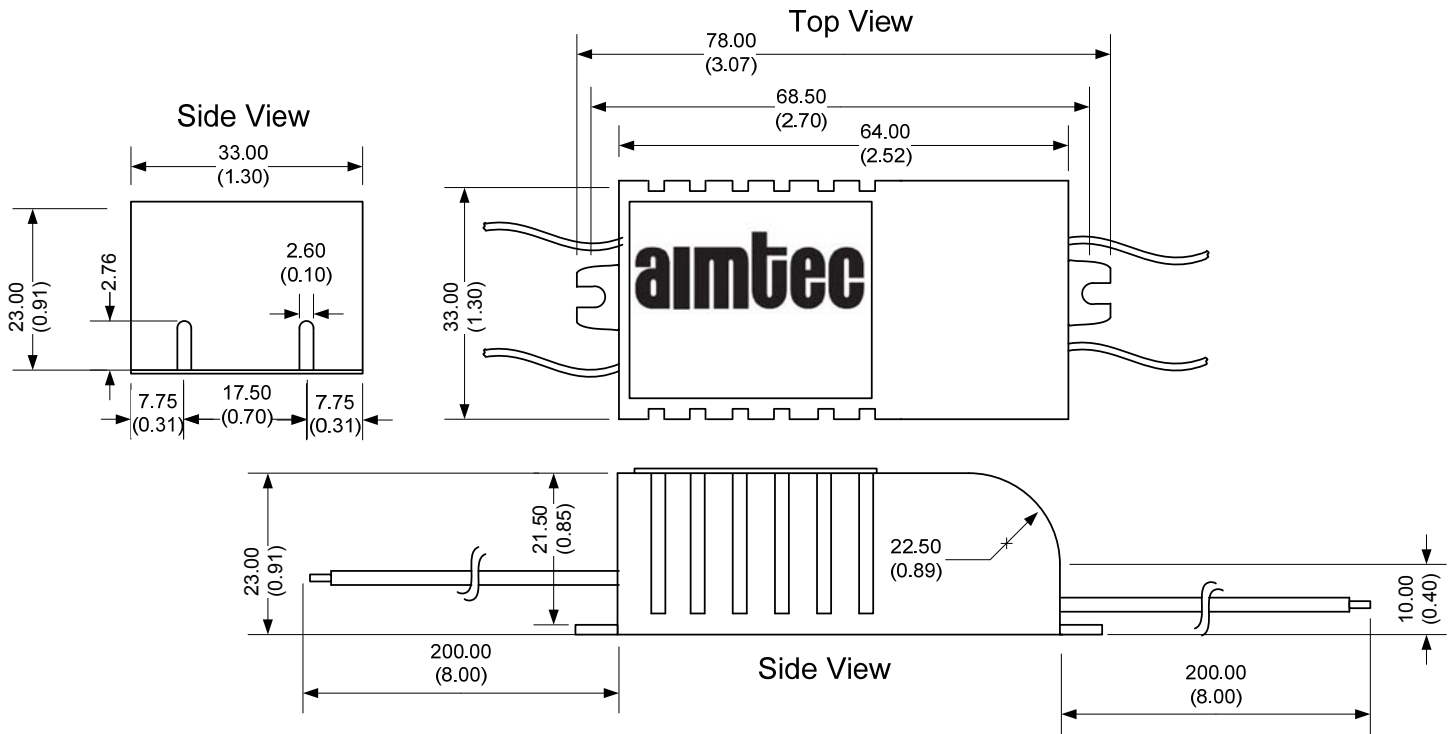
General Specifications (continued)

Parameters	Conditions	Typical	Maximum	Units
Case material		ABS (Acrylonitrile-Butadiene-Styrene Co-polymers)		
Potting		White epoxy (IP67 rated)		
Wires		UL1015 18AWG *20CM		
Weight		88		g
Dimensions (L X H X W)		3.07 x 0.91 x 1.30inches	78.00 x 23.00 x 33.00mm	
MTBF		50,000 hrs (MIL-HDBK-217 F at +25 °C)		

Safety Specifications

Parameters	
Agency approvals	CE
Standards	GB195110.1-2004/IEC61347-1:2003, EN55015, EN61000, EN61547

Dimensions



NOTE: 1. Datasheets are updated as needed and as such, specifications are subject to change without notice. Once printed or downloaded, datasheets are no longer controlled by Aimtec; refer to www.aimtec.com for the most current product specifications. 2. Product labels shown, including safety agency certifications on labels, may vary based on the date manufactured. 3. Mechanical drawings and specifications are for reference only. 4. All specifications are measured at an ambient temperature of 25°C, humidity<75%, nominal input voltage and at rated output load unless otherwise specified. 5. Aimtec may not have conducted destructive testing or chemical analysis on all internal components and chemicals at the time of publishing this document. CAS numbers and other limited information are considered proprietary and may not be available for release. 5. This product is not designed for use in critical life support systems, equipment used in hazardous environments, nuclear control systems or other such applications which necessitate specific safety and regulatory standards other the ones listed in this datasheet.