

32" High-Definition LCD Display

Specifications

LCD PANEL	
Brightness	500 cd/m ²
Contrast Ratio	1500:1
Viewing Angle	H:176° / V:176°
Response Time	6.5ms (GTG)
Supported colors	16.7M colors
Resolution	1366 x 768 (16:9)

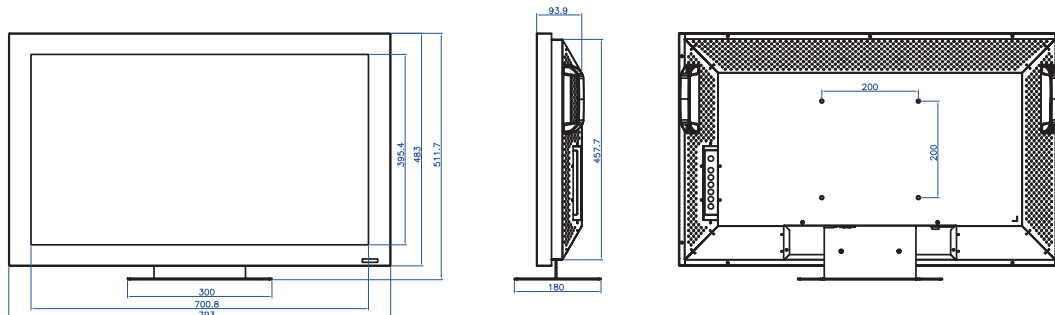
DISPLAY FEATURES	
Horizontal Frequency	30 ~ 65 KHz
Vertical Frequency	56 ~ 75 Hz
Input Resolution	1360 x 768 @ 60Hz (Analog) 1360 x 768 @ 60Hz (Digital)
DDC	DDC 2B
OSD Control	RS232C, Push button, IR Remote Controller
OSD Language	English

PHYSICAL FEATURES	
Connector	15 pin D-Sub / DVI / Audio Component / S-video / AV
Dimensions with Stand	793 x 511.7 x 180 mm (WxHxD)
Weight with Stand	16 kg
Wall / Arm Mount Type	200mm x 200mm VESA

SPECIAL FEATURES	
Multimedia	PIP, PAP, Zoom
Audio In / Out	In * 1, Out * 1
Fanless Design	Yes
Audio Amplifier	Built in
Communication Port (Transport Protocol)	D-Sub 9 Pin, RJ45 In/Out (RS-232, RS-485 In/Out)

POWER CONSUMPTION	
Power Supply	AC 100V ~ 240V (50 / 60 Hz)
Normal Operation	180W
Suspend / Standby	16W
Power Off Mode	16W

Dimensions



ST-HB32B3X

ENVIRONMENTAL	
Operating Temperature	5°C~40°C
Storage Temperature	-20°C~60°C
Operating Humidity	85%RH
Storage Humidity	85%RH

OPTIONS	
Protective Surface	4mm Tempered Glass (AG/AR)



*All specifications subject to change without notice.