

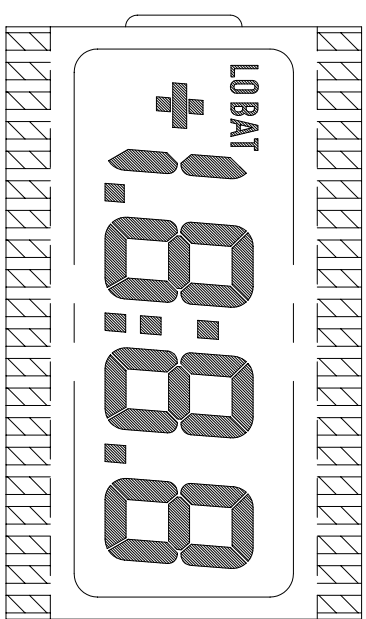
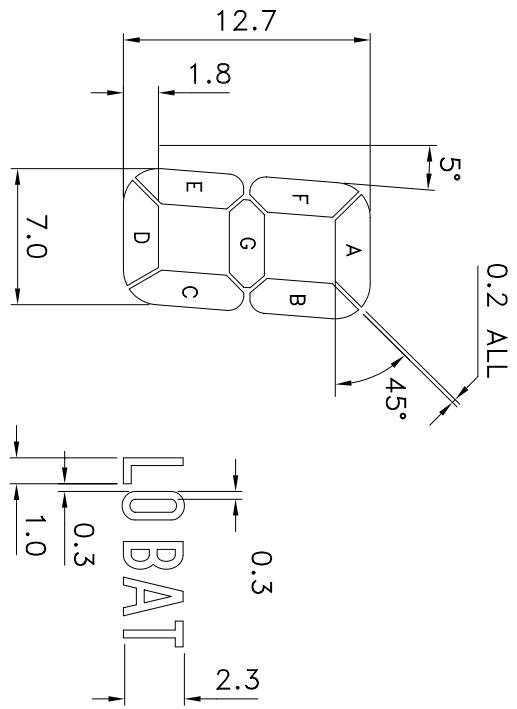
MECHANICAL TOL. ±0.2 UNLESS SPECIFIED

APPROVAL	COUNTER DRAWING	CUSTOMER REF.	REV.	DATE
COMPANY NAME	STANDARD		00	22-DEC-93
APPROVED BY		SHEET 1 OF 2		
DATE		SCALE 2 : 1		

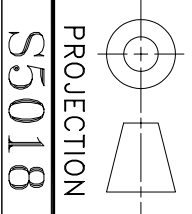
 PROJECTION	APPROVAL	DRAFTING	CUSTOMER-SERVICE	ENGINEERING
	DATE	DRAWN BY :	BEN	UNIT IN mm
S5018	CLOVER DISPLAY LIMITED			

MODEL NO.	S5018A	S5018B	S5018C	S5018D
VIEWING DIRECTION	6 O'CLOCK	6 O'CLOCK	6 O'CLOCK	6 O'CLOCK
TEMPERATURE RANGE	0°C ~ 50°C	-30°C ~ 80°C	0°C ~ 50°C	-30°C ~ 80°C
STORAGE RANGE	-10°C ~ 60°C	-40°C ~ 85°C	-10°C ~ 60°C	-40°C ~ 85°C
CONNECTOR	Zebra	Zebra	Pin	Pin
OPERATION VOLTAGE	3.0 V			
DRIVING METHOD	STATIC			
DISPLAY TYPE	TN / REFLECTIVE / POSITIVE			

PIN 1	2	3	4	5	6	7	8	9	10	11	12	13	14	15	16	17	18	19	20
COM	Y	Z	\	\	\	\	P1	1E	1D	1C	P2	2E	2D	2C	P3	3E	3D	3C	3B
PIN 21	22	23	24	25	26	27	28	29	30	31	32	33	34	35	36	37	38	39	40
COM	3A	3F	3G	2B	2A	2F	2G	COL. 1B	1A	1F	1G	\	\	\	\	\	\	LO BAT	X COM



REV.	REVISION RECORD	DATE	STANDARD	APPROVAL	DRAFTING	CUSTOMER-SERVICE	ENGINEERING
00	1st ISSUE	22-DEC-93	CUSTOMER REF.	APPROVED BY			
			SHEET 2 OF 2	DATE			
			SCALE NTS	DRAWN BY :	BEN	UNIT IN mm	OUR REF. 00
				CLOVER DISPLAY LIMITED			



PROJECTION

S5018