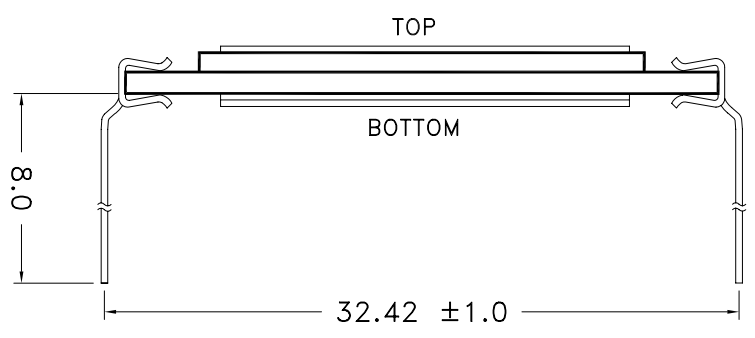


Zebra type



Pin type

MECHANICAL TOL. ±0.2 UNLESS SPECIFIED


APPROVAL	COUNTER DRAWING	CUSTOMER REF.	REV.	DATE
COMPANY NAME	STANDARD		00	06-MAR-93
APPROVED BY		SHEET 1 OF 2		
DATE		SCALE 5 : 2		

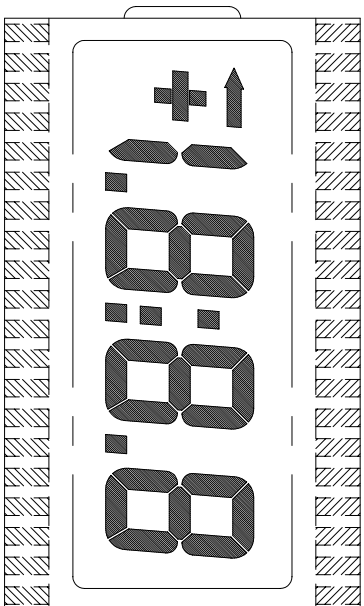
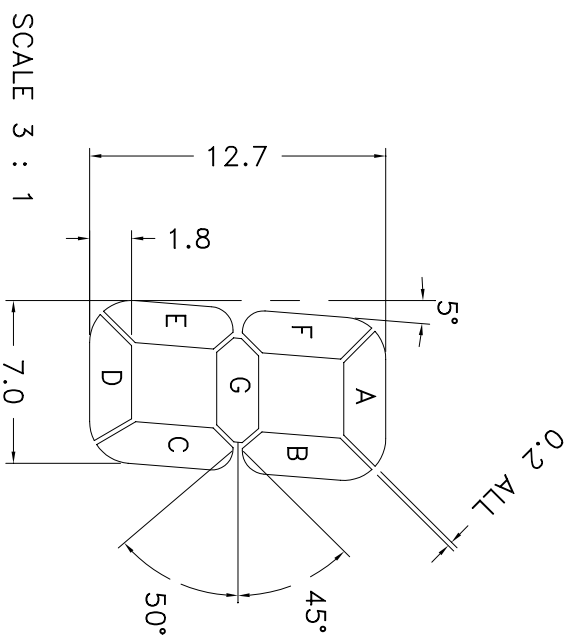
 PROJECTION	APPROVAL	DRAFTING	CUSTOMER-SERVICE	ENGINEERING
	DATE			
 CLOVER DISPLAY LIMITED	DRAWN BY :	BEN	UNIT IN mm	OUR REF. 00

S5039

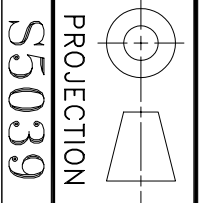
MODEL NO.	S5039A	S5039B	S5039C	S5039D
VIEWING DIRECTION	6 0'CLOCK	6 0'CLOCK	6 0'CLOCK	6 0'CLOCK
TEMPERATURE RANGE	OPERATE 0°C ~ 50°C STORAGE -10°C ~ 60°C	-30°C ~ 80°C	0°C ~ 50°C	-30°C ~ 80°C
CONNECTOR	Zebra	Zebra	Pin	Pin

OPERATION VOLTAGE	3.0 V
DRIVING METHOD	STATIC
DISPLAY TYPE	TN / REFLECTIVE / POSITIVE

PIN 1	2	3	4	5	6	7	8	9	10
COM COM	Y 1BC	/	/	/	/	/	DP1 2E	2D	
PIN 11	12	13	14	15	16	17	18	19	20
COM 2C	DP2 3E	3D	3C	DP3 4E	4D	4C	4B		
PIN 21	22	23	24	25	26	27	28	29	30
COM 4A	4F	4G	3B	3A	3F	3G	COL. 2B	2A	
PIN 31	32	33	34	35	36	37	38	39	40
COM 2F	2G	/	/	/	/	/		X	COM



REV.	REVISION RECORD		DATE	STANDARD	APPROVAL	DRAFTING	CUSTOMER-SERVICE	ENGINEERING
00	1st ISSUE		06-MAR-96	CUSTOMER REF.	APPROVED BY			
				SHEET 2 OF 2	DATE			
				SCALE NTS	DRAWN BY :	BEN	UNIT IN mm	OUR REF. 00
					 CLOVER DISPLAY LIMITED			



S5039