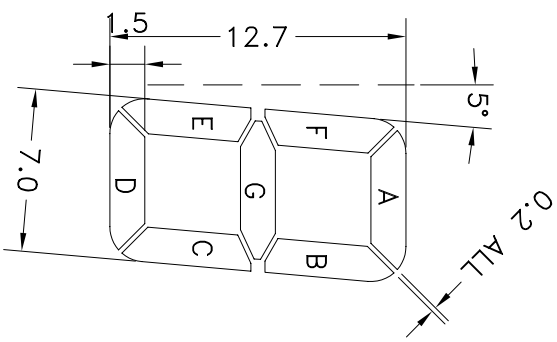
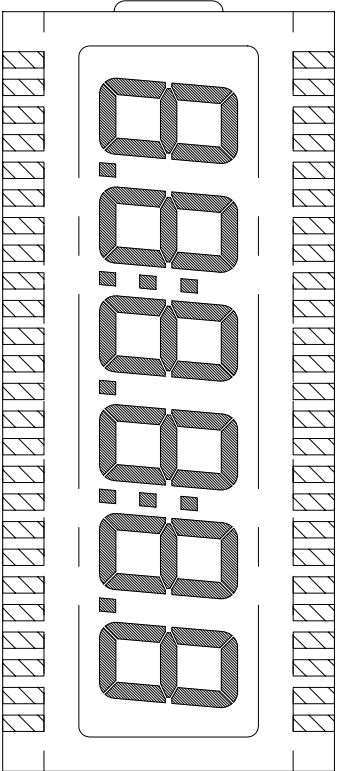


MODEL NO.	S5042A	S5042B	S5042C	S5042D	S5042E	S5042F	S5042G	S5042H
VIEWING DIRECTION	6 0'CLOCK	6 0'CLOCK	6 0'CLOCK	6 0'CLOCK	12 0'CLOCK	12 0'CLOCK	12 0'CLOCK	12 0'CLOCK
TEMPERATURE RANGE	OPERATE 0°C ~ 50°C STORAGE -10°C ~ 60°C	-20°C ~ 70°C -30°C ~ 80°C	0°C ~ 50°C -10°C ~ 60°C	-20°C ~ 70°C -30°C ~ 80°C	0°C ~ 50°C -10°C ~ 60°C	-20°C ~ 70°C -30°C ~ 80°C	0°C ~ 50°C -10°C ~ 60°C	-20°C ~ 70°C -30°C ~ 80°C
CONNECTOR	Zebra	Zebra	Pin	Pin	Zebra	Zebra	Pin	Pin

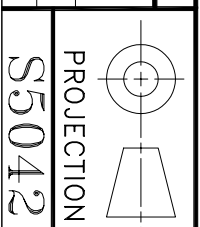
OPERATION VOLTAGE	3.0 V
DRIVING METHOD	STATIC
DISPLAY TYPE	TN / REFLECTIVE / POSITIVE

PIN	1	2	3	4	5	6	7	8	9	10	11	12	13
COM	COM	6E	6D	6C	6P	5E	5D	5C	5P	4E	4D	4C	4P
PIN	14	15	16	17	18	19	20	21	22	23	24	25	26
COM	COM	3E	3D	3C	3P	2E	2D	2C	2P	1E	1D	1C	1B
PIN	27	28	29	30	31	32	33	34	35	36	37	38	39
COM	COM	1F	1G	2B	2A	2F	2G	L1	3B	3A	3F	3G	4B
PIN	40	41	42	43	44	45	46	47	48	49	50		
COM	COM	4F	4G	L2	5B	5A	5F	5G	6B	6A	6F	6G	



SCALE 3 : 1

REV.	REVISION RECORD	DATE	STANDARD	APPROVAL	DRAFTING	CUSTOMER-SERVICE	ENGINEERING
00	1st ISSUE	01-SEP-88	CUSTOMER REF.	APPROVED BY			
			SHEET 2 OF 2	DATE			
			SCALE NTS	DRAWN BY : MAY MOK		UNIT IN mm	OUR REF. 01
					CLOVER DISPLAY LIMITED		



PROJECTION
S5042