

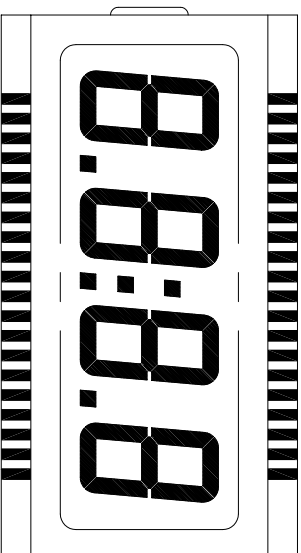
MECHANICAL TOL. ±0.2 UNLESS SPECIFIED

APPROVAL	COUNTER DRAWING	CUSTOMER REF.	REV.	DATE
COMPANY NAME	STANDARD		00	08-APR-89
APPROVED BY		SHEET 1 OF 2		
DATE		SCALE 2 : 1		

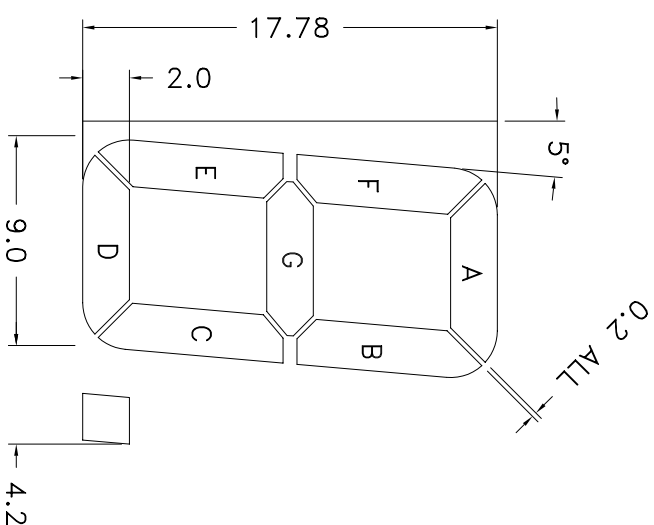
 PROJECTION	APPROVAL	DRAFTING	CUSTOMER-SERVICE	ENGINEERING
	DATE			
 S5057	DRAWN BY :	ZHANG	UNIT IN	mm
			OUR REF.	00
<b>CLOVER DISPLAY LIMITED</b>				

MODEL NO.	S5057A	S5057B	S5057C	S5057D
VIEWING DIRECTION	6 0'CLOCK	6 0'CLOCK	6 0'CLOCK	6 0'CLOCK
TEMPERATURE RANGE	OPERATE	0°C ~ 50°C	-30°C ~ 70°C	0°C ~ 50°C
	STORAGE	-10°C ~ 60°C	-40°C ~ 85°C	-10°C ~ 60°C
CONNECTOR	Zebra	Zebra	Pin	Pin

OPERATION VOLTAGE	3.0 V
DRIVING METHOD	STATIC
DISPLAY TYPE	TN / TRANSLLECTIVE / POSITIVE

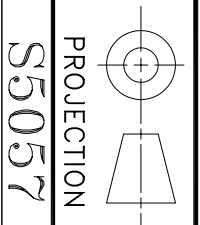


PIN	1	2	3	4	5	6	7	8	9	10	11	12	13	14	15	16	17	18	19	20
COM	COM	/	/	4E	4D	4C	4DP	3E	3D	3C	3DP	2E	2D	2C	2DP	1E	1D	1C	1B	40
PIN	21	22	23	24	25	26	27	28	29	30	31	32	33	34	35	36	37	38	39	40
COM	1A	1F	1G	2B	2A	2F	2G	COL	3B	3A	3F	3G	/	4B	4A	4F	4G	/	/	COM



SCALE 3 : 1  
DIGIT 1 ~ 4

REV.	REVISION RECORD		DATE	STANDARD	APPROVAL	DRAFTING	CUSTOMER-SERVICE	ENGINEERING
00	1st ISSUE		08-APR-89	CUSTOMER REF.	APPROVED BY			
				SHEET 2 OF 2	DATE			
				SCALE NTS	DRAWN BY : ZHANG		UNIT IN mm	OUR REF. 00
					<b>CLOVER DISPLAY LIMITED</b>			



PROJECTION  
S5057