

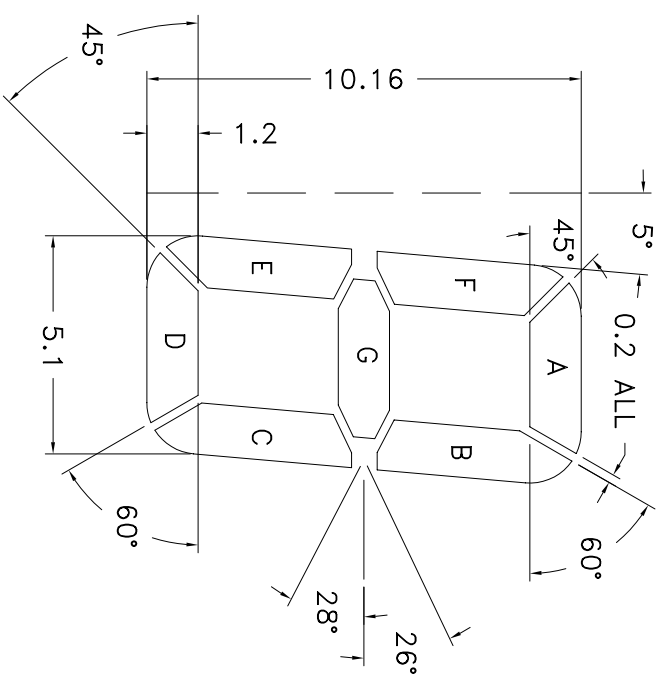
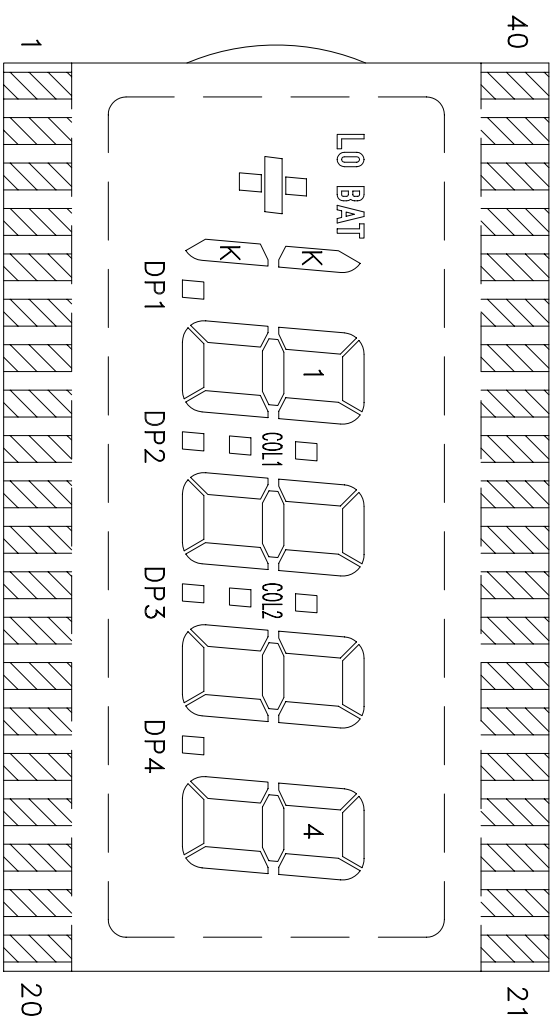
MECHANICAL TOL. ±0.2 UNLESS SPECIFIED

APPROVAL	COUNTER DRAWING	CUSTOMER REF.	REV.	DATE	PROJECTION	APPROVAL	DRAFTING	CUSTOMER-SERVICE	ENGINEERING
COMPANY NAME	STANDARD		00	03-JUL-03		APPROVED BY			
APPROVED BY						DATE			
DATE					S5065	DRAWN BY : SH.Q.YANG	UNIT IN mm	OUR REF. 00	
						CLOVER DISPLAY LIMITED			

TN TYPE

MODEL NO.	S5065A	S5065B	S5065C	S5065D	S5065E	S5065F	S5065G	S5065H
VIEWING DIRECTION	6 O'CLOCK	6 O'CLOCK	6 O'CLOCK	6 O'CLOCK	12 O'CLOCK	12 O'CLOCK	12 O'CLOCK	12 O'CLOCK
TEMPERATURE RANGE	0°C ~ 50°C	-20°C ~ 70°C	0°C ~ 50°C	-20°C ~ 70°C	0°C ~ 50°C	-20°C ~ 70°C	0°C ~ 50°C	-20°C ~ 70°C
STORAGE RANGE	-10°C ~ 60°C	-30°C ~ 80°C	-10°C ~ 60°C	-30°C ~ 80°C	-10°C ~ 60°C	-30°C ~ 80°C	-10°C ~ 60°C	-30°C ~ 80°C
CONNECTOR	ZEBRA	ZEBRA	PIN	PIN	ZEBRA	ZEBRA	PIN	PIN
DISPLAY TYPE	POSITIVE / NEGATIVE REFLECTIVE / TRANSLFLECTIVE / TRANSMISSIVE							

OPERATION VOLTAGE	3.0 V
DRIVING METHOD	STATIC



PIN	21	22	23	24	25	26	27	28	29	30	31	32	33	34	35	36	37	38	39	40
COM	4A	4F	4G	3B	3A	3F	3G	COL2	2B	2A	2F	2G	COL1	1B	1A	1F	1G	LO BAT	COM	COM
PIN	1	2	3	4	5	6	7	8	9	10	11	12	13	14	15	16	17	18	19	20
COM	COM	COM	K	DP1	1E	1D	1C	DP2	2E	2D	2C	DP3	3E	3D	3C	DP4	4E	4D	4C	4B

REV.	REVISION RECORD		DATE	STANDARD	PROJECTION	APPROVAL	DRAFTING	CUSTOMER-SERVICE	ENGINEERING
00	1st ISSUE		03-JUL-03	CUSTOMER REF.	 PROJECTION S5065	APPROVED BY			
						DATE			
						DRAWN BY : SH.Q.YANG		UNIT IN mm	OUR REF. 00