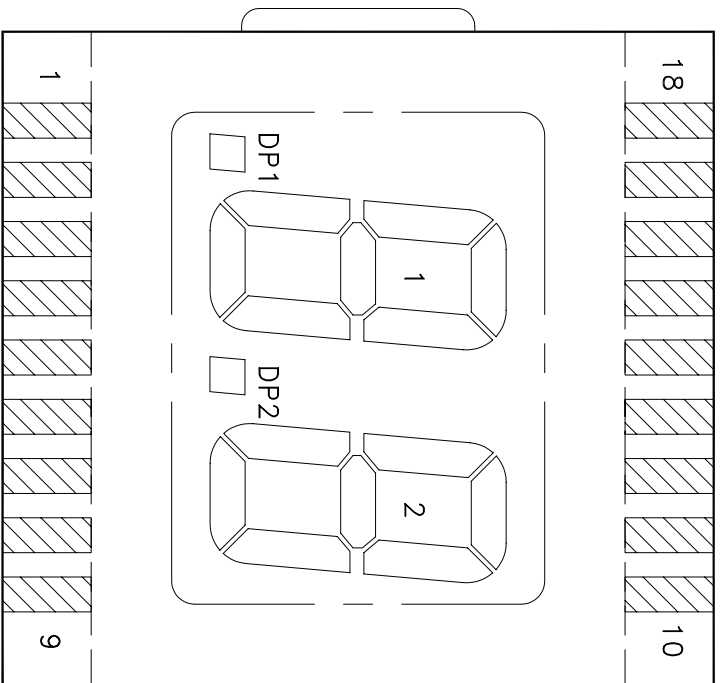


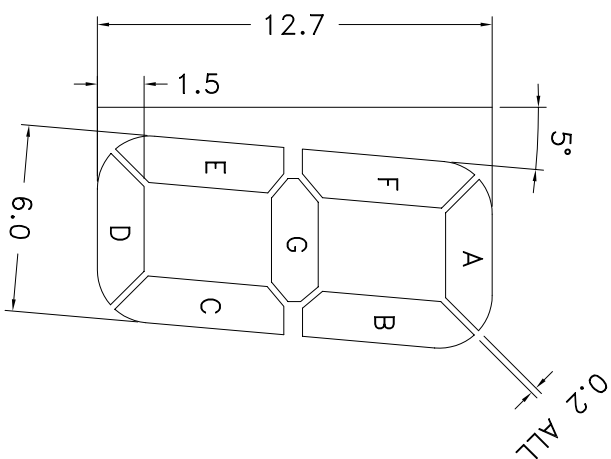
MECHANICAL TOL. ±0.2 UNLESS SPECIFIED

APPROVAL	COUNTER DRAWING	CUSTOMER REF.	REV.	DATE
COMPANY NAME	STANDARD		00	07-JAN-04
APPROVED BY		SHEET 1 OF 2		
DATE		SCALE 3 : 1		

 PROJECTION	APPROVAL	DRAFTING	CUSTOMER-SERVICE	ENGINEERING
	DATE			
 S5080	DRAWN BY :	ZHANG	UNIT IN mm	OUR REF. 00
	<b>CLOVER DISPLAY LIMITED</b>			



PIN	1	2	3	4	5	6	7	8	9
COM	COM	DP1	1E	1D	1C	DP2	2E	2D	2C
PIN	10	11	12	13	14	15	16	17	18
COM	2B	2A	2F	2G	1B	1A	1F	1G	COM



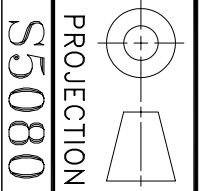
SCALE 4 : 1  
DIGIT 1 & 2

TN TYPE

MODEL NO.	S5080A	S5080B	S5080C	S5080D	S5080E	S5080F	S5080G	S5080H
VIEWING DIRECTION	6 O'CLOCK	6 O'CLOCK	6 O'CLOCK	6 O'CLOCK	12 O'CLOCK	12 O'CLOCK	12 O'CLOCK	12 O'CLOCK
TEMPERATURE RANGE	OPERATE	0°C ~ 50°C	-20°C ~ 70°C	0°C ~ 50°C	-20°C ~ 70°C	0°C ~ 50°C	-20°C ~ 70°C	-20°C ~ 70°C
	STORAGE	-10°C ~ 60°C	-30°C ~ 80°C	-10°C ~ 60°C	-30°C ~ 80°C	-10°C ~ 60°C	-30°C ~ 80°C	-30°C ~ 80°C
CONNECTOR	ZEBRA	ZEBRA	PIN	PIN	ZEBRA	ZEBRA	PIN	PIN

DISPLAY TYPE	POSITIVE / NEGATIVE	
	REFLECTIVE / TRANSPARENT	REFLECTIVE / TRANSPARENT
OPERATION VOLTAGE	NORMAL TEMPERATURE	3.0 V
	WIDE TEMPERATURE	5.0 V
DRIVING METHOD	STATIC	

REV.	REVISION RECORD	DATE	STANDARD	APPROVAL	DRAFTING	CUSTOMER-SERVICE	ENGINEERING
00	1st ISSUE	07-JAN-04	CUSTOMER REF.	APPROVED BY			
			SHEET 2 OF 2	DATE			
			SCALE NTS	DRAWN BY : ZHANG		UNIT IN mm	OUR REF. 00
				<b>CLOVER DISPLAY LIMITED</b>			



PROJECTION  
S5080