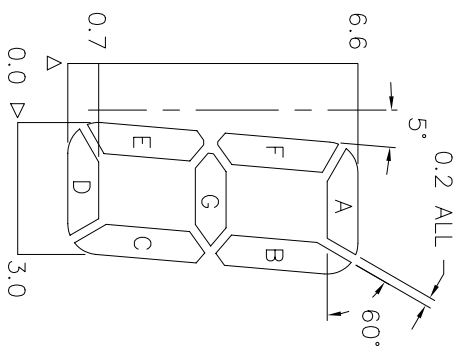


- CHARACTERISTICS :
- 1) OPERATING VOLTAGE : 3.0 V
 - 2) OPERATING TEMPERATURE : 0°C TO 50°C
 - 3) STORAGE TEMPERATURE : -10°C TO 60°C
 - 4) DRIVING METHOD : 1/4 DUTY , 1/3 BIAS
 - 5) DISPLAY TYPE : REFLECTIVE (POSITIVE)
 - 6) VIEWING DIRECTION : 6 O'CLOCK

PIN 1	2	3	4	5	6	7	8	9	10	11	12	13	14	15	16	17	18
COM1	COM1	/	/	1D	/	2D	/	3D	/	4D	/	5D	/	6D	/	7D	/
COM2	/	COM2	/	1E	1C	2E	2C	3E	3C	4E	4C	5E	5C	6E	6C	7E	7C
COM3	/	/	COM3	1G	1B	2G	2B	3G	3B	4G	4B	5G	5B	6G	6B	7G	7B
COM4	/	/	/	COM4	1A	2F	2A	3F	3A	4F	4A	5F	5A	6F	6A	7F	7A
PIN 19	20	21	22	23	24	25	26	27	28	29	30	31	32	33	34	35	36
COM1	8D	/	9D	/	10D	/	11D	/	12D	/	13D	/	14D	/	15D	/	16D
COM2	8E	8C	9E	9C	10E	10C	11E	11C	12E	12C	13E	13C	14E	14C	15E	15C	16E
COM3	8G	8B	9G	9B	10G	10B	11G	11B	12G	12B	13G	13B	14G	14B	15G	15B	16G
COM4	8F	8A	9F	9A	10F	10A	11F	11A	12F	12A	13F	13A	14F	14A	15F	15A	16F



SCALE 8 : 1

MECHANICAL TOL. ±0.2 UNLESS SPECIFIED

APPROVAL	COUNTER DRAWING	OUR REFERENCE ()
APPROVED BY		S5966-KB-NCR-P-Z
POSITION		CUSTOMER REFERENCE
COMPANY NAME	STANDARD	
DATE		SCALE 4 : 1
APPROVAL	DRAFTING	CUSTOMER-SERVICE
APPROVED BY		ENGINEERING
DATE		
PROJECTION	DRAWN BY	UNIT IN
	C.H.Mei	mm
		SHEET 1 OF 1
S5966	DATE	
	04-JUN-94	
 CLOVER DISPLAY LIMITED		