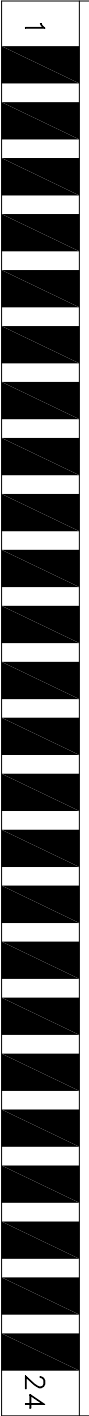
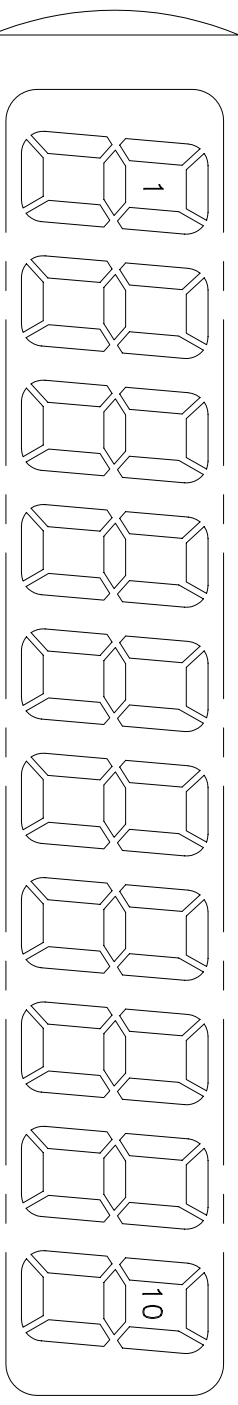


MECHANICAL TOL. ±0.2 UNLESS SPECIFIED

APPROVAL	COUNTER DRAWING	CUSTOMER REF.	REV.	DATE
COMPANY NAME	STANDARD		00	30-MAR-01
APPROVED BY		SHEET 1 OF 2		
DATE		SCALE 7 : 2		

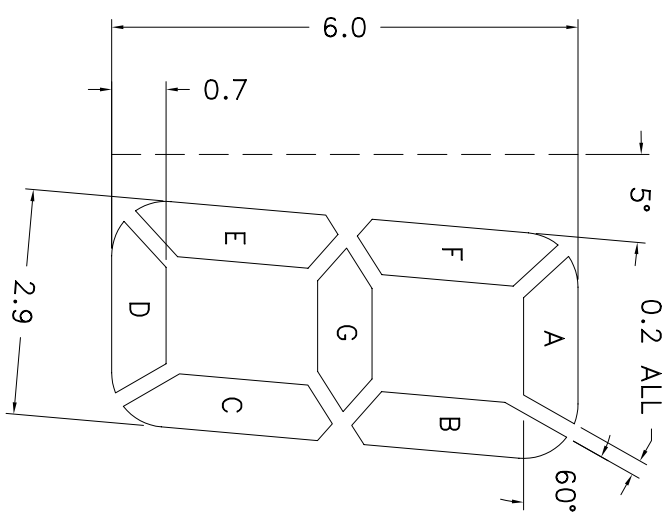
 PROJECTION	APPROVAL	DRAFTING	CUSTOMER-SERVICE	ENGINEERING
	DATE			
 S5972	DRAWN BY : SH.Q.YANG	UNIT IN mm	OUR REF. CO.	
	CLOVER DISPLAY LIMITED			



PIN	1	2	3	4	5	6	7	8	9	10	11	12	13	14	15	16
COM1	2E	2G	2B	3E	3G	3B	4E	4G	4B	5E	5G	5B	6E	6G	6B	7E
COM2	2F	2A	/	3F	3A	/	4F	4A	/	5F	5A	/	6F	6A	/	7F
COM3	2D	2C	/	3D	3C	/	4D	4C	/	5D	5C	/	6D	6C	/	7D
PIN	17	18	19	20	21	22	23	24	25	26	27	28	29	30	31	32
COM1	7G	7B	8E	8G	8B	9E	9G	9B	10E	10G	10B	/	/	/	/	/
COM2	7A	/	8F	8A	/	9F	9A	/	10F	10A	/	COM2	/	/	/	/
COM3	7C	/	8D	8C	/	9D	9C	/	10D	10C	/	/	/	/	/	/
PIN	33	34	35	36	37	38	39	40	41	42	43	44	45	46	47	48
COM1	/	/	/	/	/	/	/	/	/	/	/	COM1	/	1E	1G	1B
COM2	/	/	/	/	/	/	/	/	/	/	/	/	/	1F	1A	/
COM3	/	/	/	/	/	/	/	/	/	/	/	/	COM3	1D	1C	/

MODEL NO.	S5972A	S5972B	S5972C	S5972D	S5972E	S5972F	S5972G	S5972H
VIEWING DIRECTION	6 0'CLOCK	6 0'CLOCK	6 0'CLOCK	6 0'CLOCK	12 0'CLOCK	12 0'CLOCK	12 0'CLOCK	12 0'CLOCK
TEMPERATURE RANGE	OPERATE 0°C ~ 50°C STORAGE -10°C ~ 60°C	-20°C ~ 70°C -30°C ~ 80°C	0°C ~ 50°C -10°C ~ 60°C	-20°C ~ 70°C -30°C ~ 80°C	0°C ~ 50°C -10°C ~ 60°C	-20°C ~ 70°C -30°C ~ 80°C	0°C ~ 50°C -10°C ~ 60°C	-20°C ~ 70°C -30°C ~ 80°C
CONNECTOR	Zebra	Zebra	Pin	Pin	Zebra	Zebra	Pin	Pin

OPERATION VOLTAGE	3.0 V
DRIVING METHOD	1/3 DUTY , 1/2 BIAS
DISPLAY TYPE	TN / REFLECTIVE / POSITIVE



SCALE 10 : 1

REV.	REVISION RECORD		DATE	STANDARD	APPROVAL	DRAFTING	CUSTOMER-SERVICE	ENGINEERING
00	1st ISSUE		30-MAR-01	CUSTOMER REF.	APPROVED BY			
				SHEET 2 OF 2	DATE			
				SCALE 4 : 1	DRAWN BY : SH.Q.YANG	UNIT IN mm		OUR REF. CO.
					CLOVER DISPLAY LIMITED			