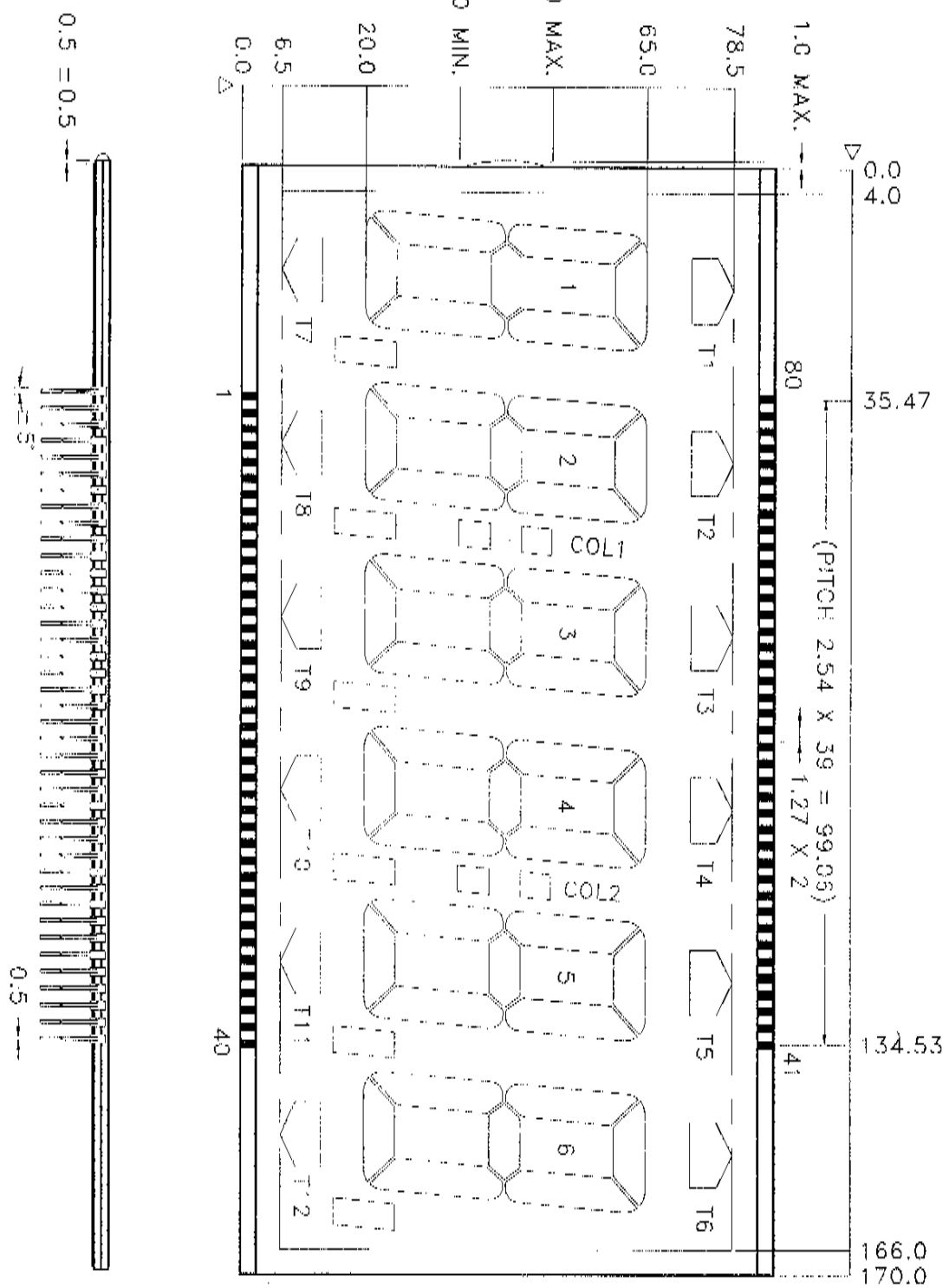


MECH-AN CAL TOL. ±0.2 UNLESS SPECIFIED

APPROVAL	COUNTER DRAWING	CUSTOMER REF.	REVI DATE	PROJECTION	APPROVAL	DRAFTING	CUSTOMER SERVICE	ENGINEERING
COMPANY NAME	STANDARD		00 23-APR-96	+	DATE	26 APR 96	DATE	26 APR 96
APPROVED BY					DRAWN BY	MAY	UNIT IN	mm
DATE								OUR/REV
								00



APPROVAL

COMPANY NAME

STANDARD

APPROVED BY

DATE

CUSTOMER SERVICE

ENGINEERING

DATE

DRAWN BY

UNIT IN

mm

OUR/REV

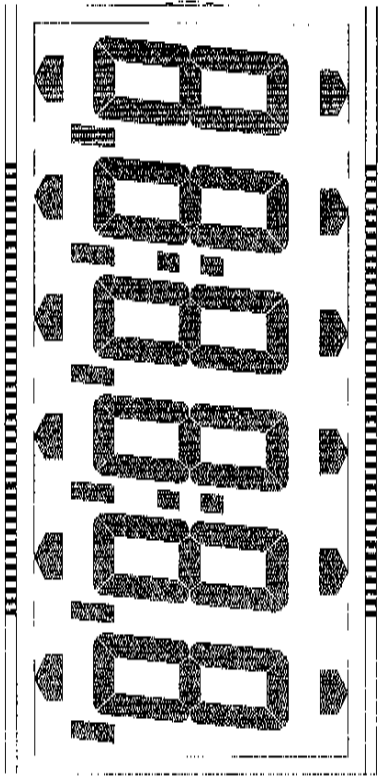
00

S5974

CLOVER DISPLAY LIMITED

MODEL NO.	S5974C	S5974D
VIEWING DIRECTION	6 O'CLOCK	6 O'CLOCK
TEMPERATURE RANGE	OPERATE 0°C ~ 50°C STORAGE -10°C ~ 50°C	-30°C ~ 70°C -40°C ~ 80°C
CONNECTOR	Pin(P)	Pin(P)

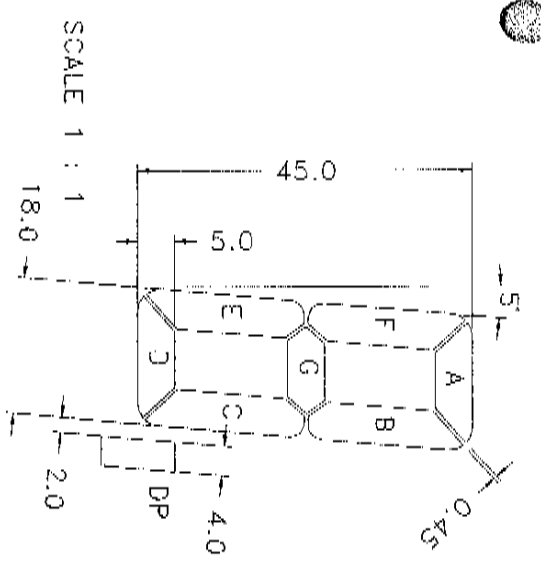
- CHARACTERISTICS :
- 1) OPERATING VOLTAGE : 5.0 V
 - 2) OPERATING TEMPERATURE : -30°C TO 70°C
 - 3) STORAGE TEMPERATURE : -40°C TO 80°C
 - 4) DRIVING METHOD : STATIC
 - 5) DISPLAY TYPE : TN / REFLECTIVE / POSITIVE
 - 6) VIEWING DIRECTION : 6 O'CLOCK



REV.	00	REVISION RECORD	DATE	23-APR-96
		1st ISSUE		

STANDARD	CUSTOMER REF.
SHEET 2 OF 2	SCALE 1 : 1

P.N	COM	PIN	COM	PIN	COM	PIN	COM	PIN	COM
1	COM	21	4E	41	COM	6'	COM		
2	/	22	4D	42	/	62	/	63	T3
3	1E	23	4C	43	16	63	3E	64	3A
4	1D	24	1'0	44	6B	64	3A	65	3F
5	1C	25	4DP	45	6A	65	3F	66	3G
6	17	26	/	46	6F	66	3G	67	COL1
7	1DP	27	5E	47	6G	67	COL1	68	/
8	/	28	5D	48	/	68	/	69	T2
9	2E	29	5C	49	T5	69	T2	70	2E
10	2D	30	T11	50	5B	70	2E	71	2A
11	2C	31	SDP	51	5A	71	2A	72	2F
12	18	32	/	52	5F	72	2F	73	2G
13	2DP	33	5E	53	5G	73	2G	74	/
14	/	34	6D	54	CO.2	74	/	75	T1
15	3E	35	6C	55	/	75	T1	76	1B
16	3D	36	T12	56	T4	76	1B	77	1A
17	3C	37	6DP	57	4B	77	1A	78	1F
18	19	38	/	58	4A	78	1F	79	1G
19	3DP	39	/	59	4F	79	1G	80	COM
20	/	40	COM	60	4G	80	COM		



PROJECTION	APPROVAL	DRAFTING	CUSTOMER SERVICE: ENGINEERING
	APPROVED BY: <i>[Signature]</i>	<i>[Signature]</i>	
DATE: 26 APR 96	DRAWN BY: MAY	UNIT: IN mm	O.R/REF. 00
S5974 CLOVER DISPLAY LIMITED			