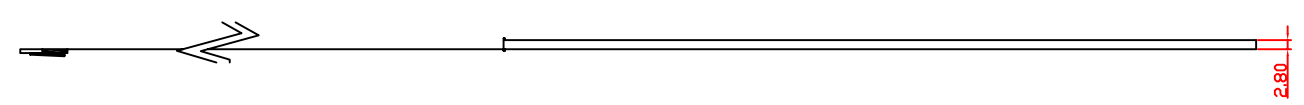
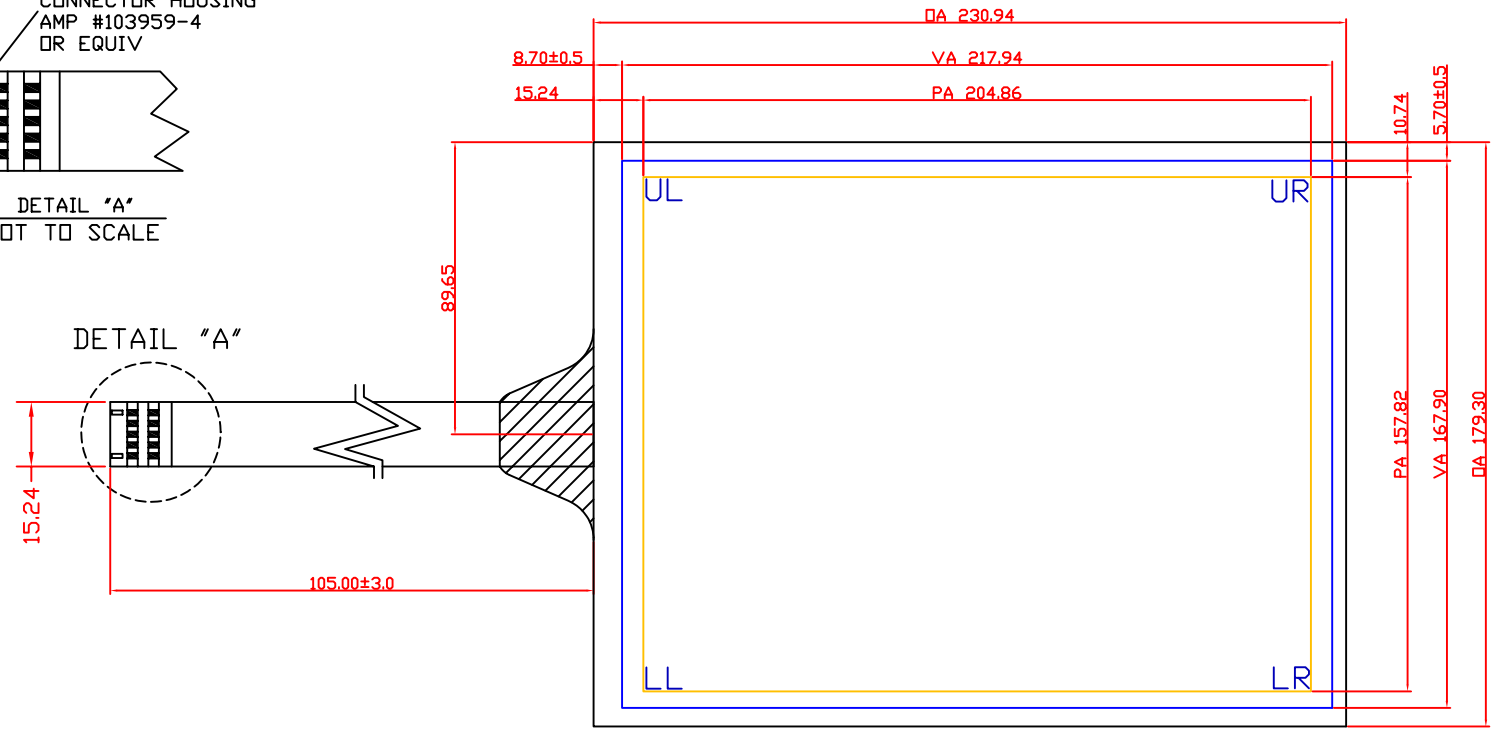
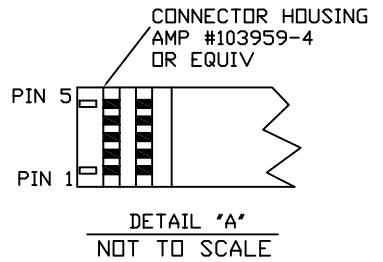


DA DIAGONAL : 292.37(REF)
 VA DIAGONAL : 275.11(REF)
 PA DIAGONAL : 258.60(REF)



PINOUT	
1	LR
2	LL
3	SHIELD
4	UL
5	UR

NOTES:
This tail is FPC.



Gleichmann & Co. Electronics GmbH
 Product Marketing Displays & Systems
 Schraderstr. 44, D- 67227 Frankenthal
 Tel : +49 7249-910-0, Fax: +49 7249-910-559
display@msc-ge.com <http://www.msc-ge.com>

DIMENSIONS		Dano 達諾光電股份有限公司	
.X	±	TITLE	Capacitive Touch Sensor 230.94 X 179.30 X 2.80
.XX	±0.3	THIRD ANGLE PROJECTION	
.XXX	±0.15		P/N
ANGLES	±1°		F1-10822APA-N0
DO NOT SCALE DRAWING		REV	SHEET
SCALE		A	1 of 1
1 : 1		Drawn By: Hunter Yu	
		Drawn Date: 08-09-2007	

NOTICE OF PROPRIETARY RIGHTS
 The document is proprietary property of DanoTech Corp.Ltd.and may not be reproduced or distributed without DanoTech authorization.