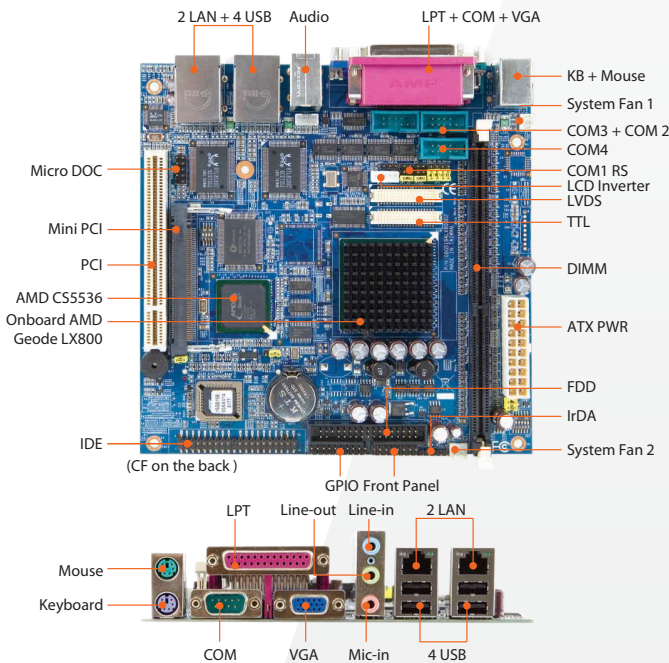


ALX800-LCQEI

AMD Geode™ LX800 500MHz Mini-ITX Motherboard



Features

- Onboard AMD Geode™ LX800 CPU with AMD LX800 integrated graphics controller supports multiple display functions
- AMD Geode™ CS5536 companion Chipset
- One DIMM up to 1GB DDR 400 SDRAM
- 18/24-bit TTL, 24-bit LVDS
- Realtek ALC203 supports 2 Channel Audio
- Dual Realtek RTL8100C LAN
- 1 PCI, 1 Mini PCI, 1 Type I/II CF
- 4 COM, 4 USB 2.0
- Optional built-in touch screen I/F

Specifications

System

CPU	Onboard AMD Geode LX800 @ 0.9W with 128K L2 Cache or 64K L1 Cache
BIOS	Award 4Mb Flash BIOS
System Chipset	AMD Geode CS5536
I/O Chip	Windbond W83627DHG-AW
System Memory	One 184-pin DIMM socket supports up to 1GB DDR 400 SDRAM
SSD	One CompactFlash Type I/II socket
Watchdog Timer	Reset : 1 to 255 sec/min per step
H/W Status Monitor	Monitoring CPU temperature, voltage and cooling fan status. Auto throttling control when CPU overheats.
Expansion	1 PCI slot (PCI 2.2 Rev. compliant) 1 Mini PCI
Power State	S1, S3

Built-in Touch Screen Controller (optional)

Chipset	PenMount DMC9000
Touch Screen Interface	With 9-pin 2mm box header (can be selected to support 4/5/8-wire touch screen)

I/O

MIO	1 IDE (DMA33), 3 COM RS-232 (COM 1 w/ Power), 1 COM RS-232/422/485, 1 FDD, 1 PS/2 Keyboard, 1 PS/2 Mouse
IrDA	115k bps, IrDA 1.0 compliant
USB	4 USB 2.0
GPIO	16-bit General Purpose I/O for 8-bit DI and 8-bit DO

Display

Chipset	AMD Geode LX800 with integrated graphics engine
Display Memory	AMD LX800 integrated graphics controller supports up to 32 MB video memory
Resolution	CRT mode: 1920 x 1440 (@ 85 Hz) TFT mode: 1600 x 1200 (@ 100Hz)
LVDS	Single channel 24-bit LVDS

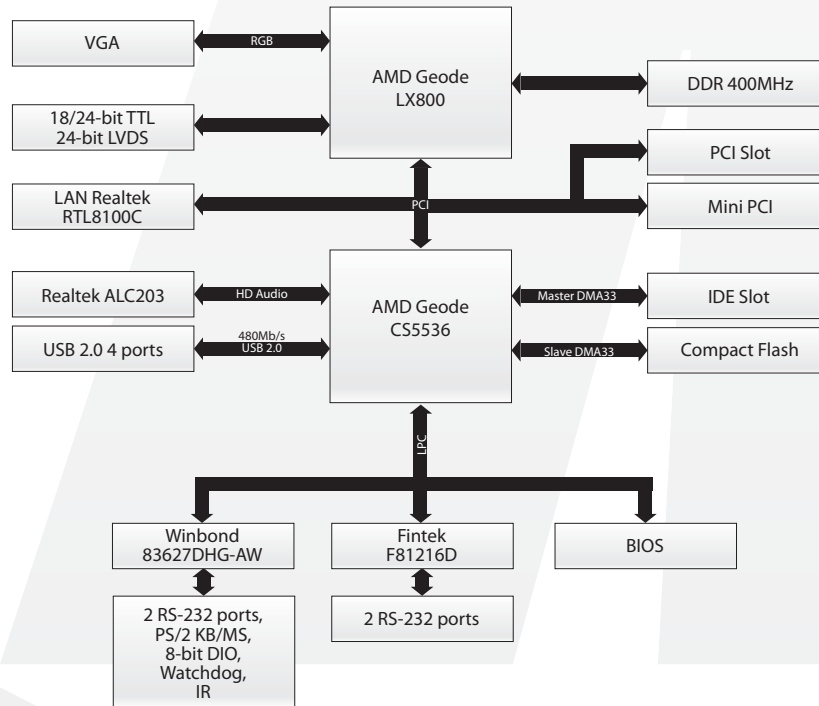
Audio

Audio Codec	Realtek ALC203-LF supports 2 Ch. AC97 Audio
Audio Interface	Line-in, Line-out, Mic-in

Ethernet

LAN 1	Realtek RTL8100C PCI 10/100Mbps LAN
LAN 2	Realtek RTL8100C PCI 10/100Mbps LAN

Block Diagram



Back Panel I/O Port

- 1 PS/2 Mouse
- 1 PS/2 Keyboard
- 1 LPT Port
- 1 COM RS-232 Port
- Audio I/O (3 jacks)
- 2 LAN RJ45 Ports
- 4 USB 2.0 Ports

Internal I/O Connector

- 1 Micro DOC Connector
- 1 FDD Connector
- 1 IDE Connector for 2 devices
- 3 COM Connectors
- 1 Touch Screen Connector (optional)
- 2 System Fan Connectors
- 1 CD Audio-in Connector
- 1 LVDS Connector
- 1 Inverter Power Connector
- 1 IrDA Connector
- 1 TTL Connector
- 1 Digital I/O Connector
- 1 Front Panel Connector

Mechanical & Environmental

Power Requirement	+12V 0.12A	+5V 1.3A	+3.3V 0.5A	5VBS 0.14A
--------------------------	---------------	-------------	---------------	---------------

Power Type ATX

Power Connector 20-pin ATX Power Connector

Operating Temperature 0 to 60°C (32 to 140°F)

Operating Humidity 0% to 90% relative humidity, non-condensing

Size (L x W) 6.69" x 6.69" (170 mm x 170 mm)

Weight 0.88 lbs (0.4 Kg)