

Features

- Supports Intel® Core™ 2 Quad/ Core™ 2 Duo CPU
- Intel® Q45/ ICH10DO Chipset Supports Intel® AMT 5.0 & vPro
- Four DIMMs Up to 8GB 2-CH DDR2 800/ 667 SDRAM, Non-ECC
- Intel® Graphics Media Accelerator 4500
- Realtek ALC888 Supports 5.1+2-CH Audio Streams
- Intel® 82567-LM Gigabit Ethernet
- 1 PClex16, 1 PClex1, 2 PCI 2.3
- 2 Powered COM, 12 USB, 6 SATA II, 16-bit GPIO
- TPM 1.2, iAMT 5.0
- 6xSATA with Intel® Matrix Storage Manager Support
- PClex16 Supports ADD2 DVI/ VGA/ HDMI/ LCDS Cards

Intel Q45	Intel GMA 4500	2 Audio Streams	GbE	PClex16
PClex1	2 PCI	Powered COM	6 SATA II	RAID
12 USB	TPM	iAMT 5.0		

Specifications

System

• CPU	LGA775 Socket for Intel® Core™ 2 Quad/ Core™ 2 Duo Processors with 45nm Process Technology, TDP 95W
• FSB	1333/ 1066/ 800MHz
• BIOS	AMI 4MB SPI BIOS
• System Chipset	Intel® 82Q45/ 82801JO (ICH10DO)
• I/O Chip	Winbond W83627DHG-A
• System Memory	Four 240-pin DIMM Sockets Support Up to 8GB Dual Channel DDR2 800/ 667 SDRAM, Non-ECC, Un-buffered Memory
• Watchdog Timer	Reset: 1sec. ~ 255min. and 1sec. or 1min./step
• H/W Status Monitor	Monitoring Temperatures, Voltages and Fan Status with Auto Throttling Control
• Expansion	1 PClex16, 1 PClex1, 2 PCI (Rev. 2.3 Compliant)
• S3/ S4	Yes
• TPM	Intel® Integrated
• RAID	6 SATA II with RAID 0, 1, 5 and 10
• Wake up LAN or Ring	LAN Mode (PXE/ RPL)
• Smart Fan Control	Yes, Support 3 Modes (Silent/ Optimal/ Performance)

I/O

• MIO	1 x EIDE 66/ 100/ 133, 6 x SATA, 1 x LPT, 2 x RS-232 (5V/ 12V), 1x K/B, 1 x Mouse
• USB	12 x USB 2.0
• DIO	16-bit DIO

Display

• Chipset	Intel® Q45 GMCH Integrated Graphics Media Accelerator 4500
• Display Memory	Intel® DVM T 4.0 Supports Up to 352MB Shared Video Memory
• Max. Resolution	2048 x 1536 @ 32bpp (75Hz)
• VGA	Yes, Onboard GMA 4500
• LVDS	Through ADD2 LVDS Card (Customized BIOS)
• DVI	Through ADD2 DVI Card
• HDMI	Through ADD2 HDMI Card
• Secondary VGA	Through ADD2 VGA Card

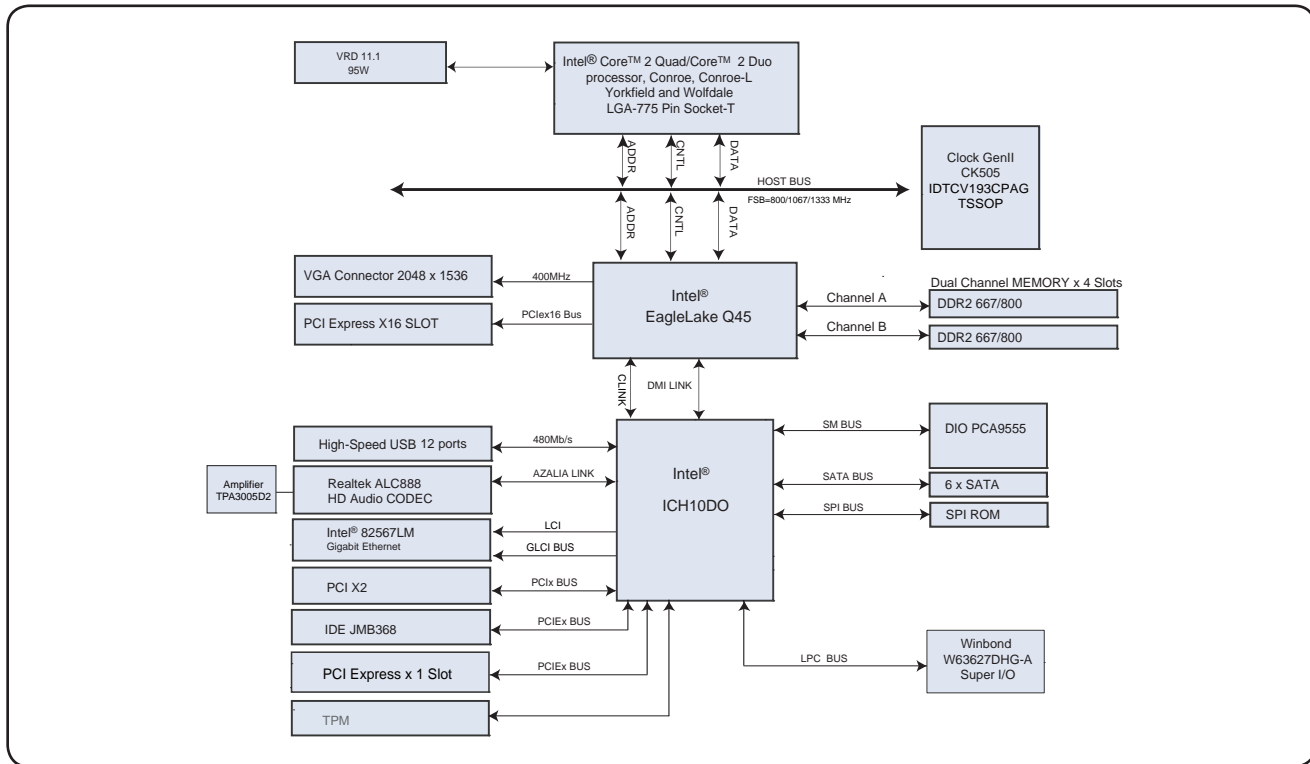
Audio

• Audio Codec	Realtek ALC888 High-definition Audio Codec Supports 5.1+2-CH Independent Audio Streams
• Audio Interface	Line-out, Line-in, Mic-in, SPDIF Header
• Amplifier	TPA3005D2 6W (Per Front Channel) Stereo Amplifier

Ethernet

• LAN	Intel® 82567-LM PCI-E Gigabit Ethernet
-------	--

Block Diagram



1
ATX

2
Micro
ATX

3
Mini
ITX

4
Nano
ITX

Rear Panel I/O Port

- **Rear Panel I/O Port**
 - 1 x PS/2 Keyboard
 - 1 x PS/2 Mouse
 - 1 x VGA Port
 - 1 x LPT Port
 - 1 x COM Port
 - 1 x RJ-45 Port
 - 4 x USB 2.0/1.1
 - Audio Jack (3 Ports)

Internal I/O Connector

- **Internal I/O Connector**
 - 4 x USB Connectors Support Additional 8 USB Ports
 - 1 x IDE Connector
 - 6 x SATA Connectors
 - 1 x CPU Fan Connector
 - 1 x Chassis Fan Connector
 - 1 x Power Fan Connector
 - 1 x Front Panel Header
 - 1 x S/PDIF Out Header
 - 1 x Chassis Intrusion Header
 - 1 x 24-pin ATX Power Connector
 - 1 x 4-pin ATX 12V Power Connector
 - 1 x 4-pin Audio Amplifier

Mechanical & Environmental

- **Power Type** ATX
- **Operating Temperature** 0 ~ 60°C (32 ~ 140°F)
- **Operating Humidity** 0% ~ 90% Relative Humidity, Non-condensing
- **Size (L x W)** 9.6" x 9.6" (243.84mm x 243.84mm)
- **Weight** 1.32lbs (0.6Kg)

5
ACP

6
System

7
Accessory

Ordering Information

• ACP-Q45DV-A1R

Intel® LGA775 Core™ 2 Quad Micro ATX Motherboard with Intel® Q45 + ICH10DO Chipset and VGA, Audio, GbE, 2 COM, 12 USB, 6 SATA, 1 PCIex16, PCIex1, 2 PCI, 16 GPIO, TPM w/ SATA Cable, IDE Cable, Bracket, CD Driver