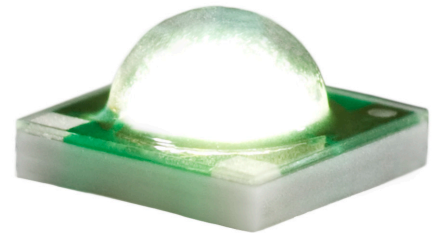


# Cree® XLamp® XP Family LED Binning and Labeling

## Introduction

---

This document describes the product nomenclature required to select and order Cree’s XLamp XP Family LEDs. XLamp XP Family LEDs are tested and sorted into bins which are then combined into orderable kits identified by an order code.



All XLamp LEDs are tested and sorted by color and brightness into a unique bin. Each bin contains LEDs from only one color and brightness group and is uniquely identified by a bin code. White XLamp LEDs are sorted by chromaticity (color) and luminous or radiant flux (brightness). Color XLamp LEDs are sorted by dominant wavelength (color) and luminous flux (brightness). Amber, red-orange and red LEDs are additionally binned into forward voltage bins. LEDs are shipped on reels containing LEDs from one bin and are always labeled with the appropriate bin code.

Kits contain LEDs from a number of similar bins and are fully defined by their order codes. A full explanation of the order codes for XLamp XP Family LEDs, as well as a list of standard order codes, is provided in this document.

## Table of Contents

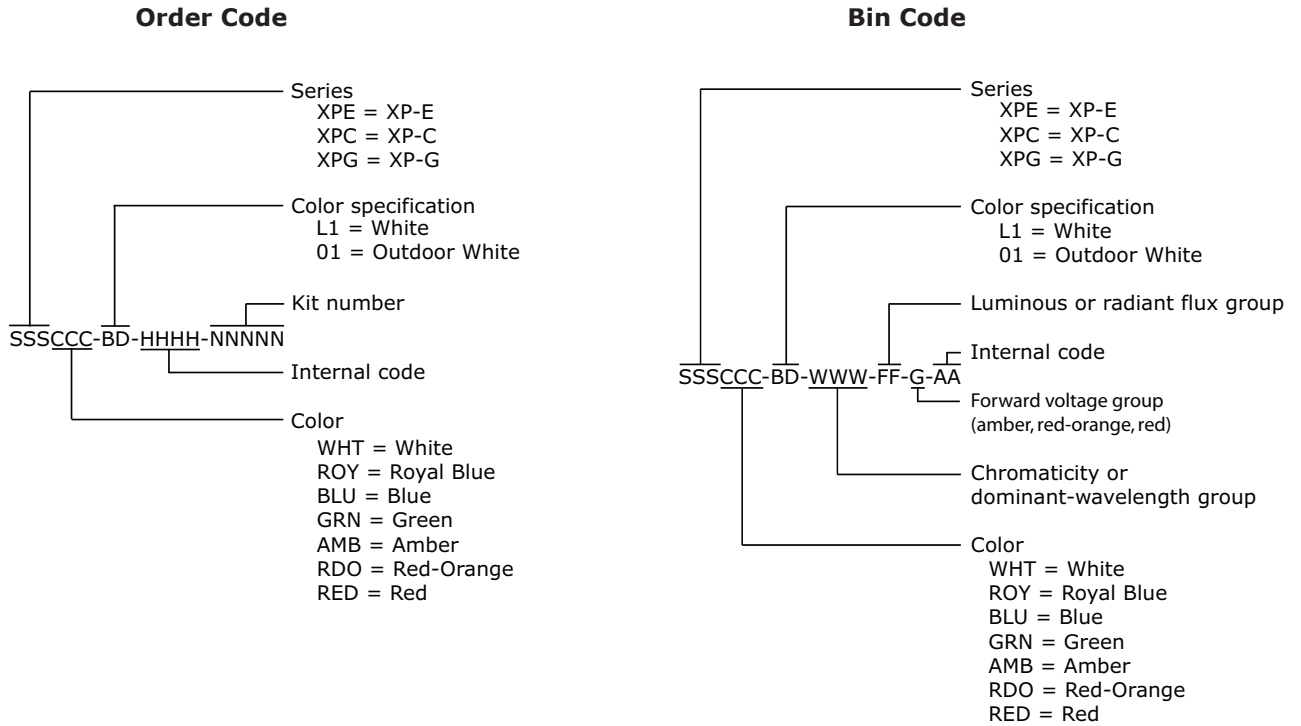
---

Bin and Order-Code Format .....	2
Performance Groups – Brightness .....	3
Performance Groups – Chromaticity .....	4
Performance Groups – Dominant Wavelength .....	8
Performance Groups – Forward Voltage .....	8
Cree’s Standard Chromaticity Regions Plotted on the 1931 CIE Curve .....	9
Standard Order Codes and Bins (XP-C Cool White) .....	12
Standard Order Codes and Bins (XP-C ANSI Cool White) .....	12
Standard Order Codes and Bins (XP-C Neutral White) .....	13
Standard Order Codes and Bins (XP-C Warm White) .....	14
Standard Order Codes and Bins (XP-C Color) .....	15
Standard Order Codes and Bins (XP-E Cool White) .....	17
Standard Order Codes and Bins (XP-E Outdoor White) .....	19
Standard Order Codes and Bins (XP-E Neutral White) .....	20
Standard Order Codes and Bins (XP-E Warm White) .....	21
Standard Order Codes and Bins (XP-E Color) .....	22
Standard Order Codes and Bins (XP-G ANSI Cool White) .....	23
Standard Order Codes and Bins (XP-G Outdoor White) .....	24
Standard Order Codes and Bins (XP-G Neutral White) .....	25
Standard Order Codes and Bins (XP-G Warm White) .....	26



## Bin and Order-Code Format

Bin codes and order codes are configured in the following manner:





## Performance Groups – Brightness

XLamp XP Family LEDs (except Royal Blue) are tested for luminous flux and placed into one of the following luminous-flux groups:

Group Code	Min. Luminous Flux @ 350 mA (lm)	Max. Luminous Flux @ 350 mA (lm)
J	23.5	30.6
K2	30.6	35.2
K3	35.2	39.8
M2	39.8	45.7
M3	45.7	51.7
N2	51.7	56.8
N3	56.8	62.0
N4	62.0	67.2
P2	67.2	73.9
P3	73.9	80.6
P4	80.6	87.4
Q2	87.4	93.9
Q3	93.9	100
Q4	100	107
Q5	107	114
R2	114	122
R3	122	130
R4	130	139
R5	139	148
S2	148	156

Royal-blue XLamp LEDs are tested for radiant flux and sorted into one of the following radiant-flux bins:

Group	Min. Radiant Flux (mW) @ 350 mA	Max. Radiant Flux (mW) @ 350 mA
12	250	300
13	300	350
14	350	425
15	425	500



## Performance Groups – Chromaticity

White XLamp LEDs are tested for chromaticity and placed into one of the regions defined by the bounding coordinates on the following pages.

Region	x	y	Region	x	y
WK	.283	.284	WF	.314	.355
	.295	.297		.316	.332
	.298	.288		.306	.322
	.287	.276		.301	.342
WA	.292	.306	WP	.317	.319
	.295	.297		.329	.330
	.283	.284		.329	.318
	.279	.291		.318	.308
WM	.295	.297	WD	.329	.345
	.308	.311		.329	.330
	.310	.300		.317	.319
	.298	.288		.316	.332
WB	.306	.322	WG	.329	.369
	.308	.311		.329	.345
	.295	.297		.316	.332
	.292	.306		.314	.355
WE	.301	.342	WJ	.329	.330
	.306	.322		.329	.345
	.292	.306		.346	.359
	.287	.321		.344	.342
WN	.308	.311	WH	.348	.384
	.317	.319		.346	.359
	.318	.308		.329	.345
	.310	.300		.329	.369
WC	.316	.332			
	.317	.319			
	.308	.311			
	.306	.322			



## Performance Groups – Chromaticity (continued)

Region	x	y	Region	x	y	Region	x	y	Region	x	y
0A	0.2950	0.2970	0B	0.2920	0.3060	0C	0.2984	0.3133	0D	0.2984	0.3133
	0.2920	0.3060		0.2895	0.3135		0.2962	0.3220		0.3048	0.3207
	0.2984	0.3133		0.2962	0.3220		0.3028	0.3304		0.3068	0.3113
	0.3009	0.3042		0.2984	0.3133		0.3048	0.3207		0.3009	0.3042
0R	0.2980	0.2880	0S	0.2895	0.3135	0T	0.2962	0.3220	0U	0.3037	0.2937
	0.2950	0.2970		0.2870	0.3210		0.2937	0.3312		0.3009	0.3042
	0.3009	0.3042		0.2937	0.3312		0.3005	0.3415		0.3068	0.3113
	0.3037	0.2937		0.2962	0.3220		0.3028	0.3304		0.3093	0.2993
1A	0.3048	0.3207	1B	0.3028	0.3304	1C	0.3115	0.3391	1D	0.3130	0.3290
	0.3130	0.3290		0.3115	0.3391		0.3205	0.3481		0.3213	0.3373
	0.3144	0.3186		0.3130	0.3290		0.3213	0.3373		0.3221	0.3261
	0.3068	0.3113		0.3048	0.3207		0.3130	0.3290		0.3144	0.3186
1R	0.3068	0.3113	1S	0.3005	0.3415	1T	0.3099	0.3509	1U	0.3144	0.3186
	0.3144	0.3186		0.3099	0.3509		0.3196	0.3602		0.3221	0.3261
	0.3161	0.3059		0.3115	0.3391		0.3205	0.3481		0.3231	0.3120
	0.3093	0.2993		0.3028	0.3304		0.3115	0.3391		0.3161	0.3059
2A	0.3215	0.3350	2B	0.3207	0.3462	2C	0.3290	0.3538	2D	0.3290	0.3417
	0.3290	0.3417		0.3290	0.3538		0.3376	0.3616		0.3371	0.3490
	0.3290	0.3300		0.3290	0.3417		0.3371	0.3490		0.3366	0.3369
	0.3222	0.3243		0.3215	0.3350		0.3290	0.3417		0.3290	0.3300
2R	0.3222	0.3243	2S	0.3196	0.3602	2T	0.3290	0.3690	2U	0.3290	0.3300
	0.3290	0.3300		0.3290	0.3690		0.3381	0.3762		0.3366	0.3369
	0.3290	0.3180		0.3290	0.3538		0.3376	0.3616		0.3361	0.3245
	0.3231	0.3120		0.3207	0.3462		0.3290	0.3538		0.3290	0.3180
3A	0.3371	0.3490	3B	0.3376	0.3616	3C	0.3463	0.3687	3D	0.3451	0.3554
	0.3451	0.3554		0.3463	0.3687		0.3551	0.3760		0.3533	0.3620
	0.3440	0.3427		0.3451	0.3554		0.3533	0.3620		0.3515	0.3487
	0.3366	0.3369		0.3371	0.3490		0.3451	0.3554		0.3440	0.3427
3R	0.3366	0.3369	3S	0.3381	0.3762	3T	0.3480	0.3840	3U	0.3440	0.3428
	0.3440	0.3428		0.3480	0.3840		0.3571	0.3907		0.3515	0.3487
	0.3429	0.3307		0.3463	0.3687		0.3551	0.3760		0.3495	0.3339
	0.3361	0.3245		0.3376	0.3616		0.3463	0.3687		0.3429	0.3307
4A	0.3530	0.3597	4B	0.3548	0.3736	4C	0.3641	0.3804	4D	0.3615	0.3659
	0.3615	0.3659		0.3641	0.3804		0.3736	0.3874		0.3702	0.3722
	0.3590	0.3521		0.3615	0.3659		0.3702	0.3722		0.3670	0.3578
	0.3512	0.3465		0.3530	0.3597		0.3615	0.3659		0.3590	0.3521
4R	0.3512	0.3465	4S	0.3571	0.3907	4T	0.3668	0.3957	4U	0.3590	0.3521
	0.3590	0.3521		0.3668	0.3957		0.3771	0.4034		0.3670	0.3578
	0.3567	0.3389		0.3641	0.3804		0.3736	0.3874		0.3640	0.3440
	0.3495	0.3339		0.3548	0.3736		0.3641	0.3804		0.3567	0.3389

This document is provided for informational purposes only and is not a warranty or a specification. For product specifications, please see the data sheets available at [www.cree.com](http://www.cree.com). For warranty information, please contact Cree Sales at [sales@cree.com](mailto:sales@cree.com).

Copyright © 2008-2010 Cree, Inc. All rights reserved. The information in this document is subject to change without notice. Cree, the Cree logo and XLamp are registered trademarks of Cree, Inc.

Cree, Inc.  
4600 Silicon Drive  
Durham, NC 27703  
USA Tel: +1.919.313.5300  
[www.cree.com/xlamp](http://www.cree.com/xlamp)



## Performance Groups – Chromaticity (continued)

Region	x	y	Region	x	y	Region	x	y	Region	x	y
5A1	0.3670	0.3578	5A2	0.3686	0.3649	5A3	0.3744	0.3685	5A4	0.3726	0.3612
	0.3686	0.3649		0.3702	0.3722		0.3763	0.3760		0.3744	0.3685
	0.3744	0.3685		0.3763	0.3760		0.3825	0.3798		0.3804	0.3721
	0.3726	0.3612		0.3744	0.3685		0.3804	0.3721		0.3783	0.3646
5B1	0.3702	0.3722	5B2	0.3719	0.3797	5B3	0.3782	0.3837	5B4	0.3763	0.3760
	0.3719	0.3797		0.3736	0.3874		0.3802	0.3916		0.3782	0.3837
	0.3782	0.3837		0.3802	0.3916		0.3869	0.3958		0.3847	0.3877
	0.3763	0.3760		0.3782	0.3837		0.3847	0.3877		0.3825	0.3798
5C1	0.3825	0.3798	5C2	0.3847	0.3877	5C3	0.3912	0.3917	5C4	0.3887	0.3836
	0.3847	0.3877		0.3869	0.3958		0.3937	0.4001		0.3912	0.3917
	0.3912	0.3917		0.3937	0.4001		0.4006	0.4044		0.3978	0.3958
	0.3887	0.3836		0.3912	0.3917		0.3978	0.3958		0.3950	0.3875
5D1	0.3783	0.3646	5D2	0.3804	0.3721	5D3	0.3863	0.3758	5D4	0.3840	0.3681
	0.3804	0.3721		0.3825	0.3798		0.3887	0.3836		0.3863	0.3758
	0.3863	0.3758		0.3887	0.3836		0.3950	0.3875		0.3924	0.3794
	0.3840	0.3681		0.3863	0.3758		0.3924	0.3794		0.3898	0.3716
5R	0.3670	0.3578	5S	0.3771	0.4034	-	-	-	-	-	-
	0.3783	0.3646		0.3916	0.4127		-	-		-	-
	0.3743	0.3502		0.3869	0.3958		-	-		-	-
	0.3640	0.3440		0.3736	0.3874		-	-		-	-
6A1	0.3889	0.3690	6A2	0.3915	0.3768	6A3	0.3981	0.3800	6A4	0.3953	0.3720
	0.3915	0.3768		0.3941	0.3848		0.4010	0.3882		0.3981	0.3800
	0.3981	0.3800		0.4010	0.3882		0.4080	0.3916		0.4048	0.3832
	0.3953	0.3720		0.3981	0.3800		0.4048	0.3832		0.4017	0.3751
6B1	0.3941	0.3848	6B2	0.3968	0.3930	6B3	0.4040	0.3966	6B4	0.4010	0.3882
	0.3968	0.3930		0.3996	0.4015		0.4071	0.4052		0.4040	0.3966
	0.4040	0.3966		0.4071	0.4052		0.4146	0.4089		0.4113	0.4001
	0.4010	0.3882		0.4040	0.3966		0.4113	0.4001		0.4080	0.3916
6C1	0.4080	0.3916	6C2	0.4113	0.4001	6C3	0.4186	0.4037	6C4	0.4150	0.3950
	0.4113	0.4001		0.4146	0.4089		0.4222	0.4127		0.4186	0.4037
	0.4186	0.4037		0.4222	0.4127		0.4299	0.4165		0.4259	0.4073
	0.4150	0.3950		0.4186	0.4037		0.4259	0.4073		0.4221	0.3984
6D1	0.4017	0.3751	6D2	0.4048	0.3832	6D3	0.4116	0.3865	6D4	0.4082	0.3782
	0.4048	0.3832		0.4080	0.3916		0.4150	0.3950		0.4116	0.3865
	0.4116	0.3865		0.4150	0.3950		0.4221	0.3984		0.4183	0.3898
	0.4082	0.3782		0.4116	0.3865		0.4183	0.3898		0.4147	0.3814

This document is provided for informational purposes only and is not a warranty or a specification. For product specifications, please see the data sheets available at [www.cree.com](http://www.cree.com). For warranty information, please contact Cree Sales at [sales@cree.com](mailto:sales@cree.com).

Copyright © 2008-2010 Cree, Inc. All rights reserved. The information in this document is subject to change without notice. Cree, the Cree logo and XLamp are registered trademarks of Cree, Inc.

Cree, Inc.  
4600 Silicon Drive  
Durham, NC 27703  
USA Tel: +1.919.313.5300  
[www.cree.com/xlamp](http://www.cree.com/xlamp)



## Performance Groups – Chromaticity (continued)

Region	x	y	Region	x	y	Region	x	y	Region	x	y
7A1	0.4147	0.3814	7A2	0.4183	0.3898	7A3	0.4242	0.3919	7A4	0.4203	0.3833
	0.4183	0.3898		0.4221	0.3984		0.4281	0.4006		0.4242	0.3919
	0.4242	0.3919		0.4281	0.4006		0.4342	0.4028		0.4300	0.3939
	0.4203	0.3833		0.4242	0.3919		0.4300	0.3939		0.4259	0.3853
7B1	0.4221	0.3984	7B2	0.4259	0.4073	7B3	0.4322	0.4096	7B4	0.4281	0.4006
	0.4259	0.4073		0.4299	0.4165		0.4364	0.4188		0.4322	0.4096
	0.4322	0.4096		0.4364	0.4188		0.4430	0.4212		0.4385	0.4119
	0.4281	0.4006		0.4322	0.4096		0.4385	0.4119		0.4342	0.4028
7C1	0.4342	0.4028	7C2	0.4385	0.4119	7C3	0.4449	0.4141	7C4	0.4403	0.4049
	0.4385	0.4119		0.4430	0.4212		0.4496	0.4236		0.4449	0.4141
	0.4449	0.4141		0.4496	0.4236		0.4562	0.4260		0.4513	0.4164
	0.4403	0.4049		0.4449	0.4141		0.4513	0.4164		0.4465	0.4071
7D1	0.4259	0.3853	7D2	0.4300	0.3939	7D3	0.4359	0.3960	7D4	0.4316	0.3873
	0.4300	0.3939		0.4342	0.4028		0.4403	0.4049		0.4359	0.3960
	0.4359	0.3960		0.4403	0.4049		0.4465	0.4071		0.4418	0.3981
	0.4316	0.3873		0.4359	0.3960		0.4418	0.3981		0.4373	0.3893
8A1	0.4373	0.3893	8A2	0.4418	0.3981	8A3	0.4475	0.3994	8A4	0.4428	0.3906
	0.4418	0.3981		0.4465	0.4071		0.4523	0.4085		0.4475	0.3994
	0.4475	0.3994		0.4523	0.4085		0.4582	0.4099		0.4532	0.4008
	0.4428	0.3906		0.4475	0.3994		0.4532	0.4008		0.4483	0.3919
8B1	0.4465	0.4071	8B2	0.4513	0.4164	8B3	0.4573	0.4178	8B4	0.4523	0.4085
	0.4513	0.4164		0.4562	0.4260		0.4624	0.4274		0.4573	0.4178
	0.4573	0.4178		0.4624	0.4274		0.4687	0.4289		0.4634	0.4193
	0.4523	0.4085		0.4573	0.4178		0.4634	0.4193		0.4582	0.4099
8C1	0.4582	0.4099	8C2	0.4634	0.4193	8C3	0.4695	0.4207	8C4	0.4641	0.4112
	0.4634	0.4193		0.4687	0.4289		0.4750	0.4304		0.4695	0.4207
	0.4695	0.4207		0.4750	0.4304		0.4813	0.4319		0.4756	0.4221
	0.4641	0.4112		0.4695	0.4207		0.4756	0.4221		0.4700	0.4126
8D1	0.4483	0.3919	8D2	0.4532	0.4008	8D3	0.4589	0.4021	8D4	0.4538	0.3931
	0.4532	0.4008		0.4582	0.4099		0.4641	0.4112		0.4589	0.4021
	0.4589	0.4021		0.4641	0.4112		0.4700	0.4126		0.4646	0.4034
	0.4538	0.3931		0.4589	0.4021		0.4646	0.4034		0.4593	0.3944

This document is provided for informational purposes only and is not a warranty or a specification. For product specifications, please see the data sheets available at [www.cree.com](http://www.cree.com). For warranty information, please contact Cree Sales at [sales@cree.com](mailto:sales@cree.com).

Copyright © 2008-2010 Cree, Inc. All rights reserved. The information in this document is subject to change without notice. Cree, the Cree logo and XLamp are registered trademarks of Cree, Inc.

Cree, Inc.  
4600 Silicon Drive  
Durham, NC 27703  
USA Tel: +1.919.313.5300  
[www.cree.com/xlamp](http://www.cree.com/xlamp)



## Performance Groups – Dominant Wavelength

Color XLamp LEDs are tested for dominant wavelength (DWL) and sorted into one of the DWL bins defined below.

Color	DWL Group	Min. DWL (nm) @ 350 mA	Max. DWL (nm) @ 350 mA
Royal Blue	D3	450	455
	D4	455	460
	D5	460	465
Blue	B3	465	470
	B4	470	475
	B5	475	480
	B6	480	485
Green	G2	520	525
	G3	525	530
	G4	530	535
Amber	A2	585	590
	A3	590	595
Red-Orange	O3	610	615
	O4	615	620
Red	R2	620	625
	R3	625	630

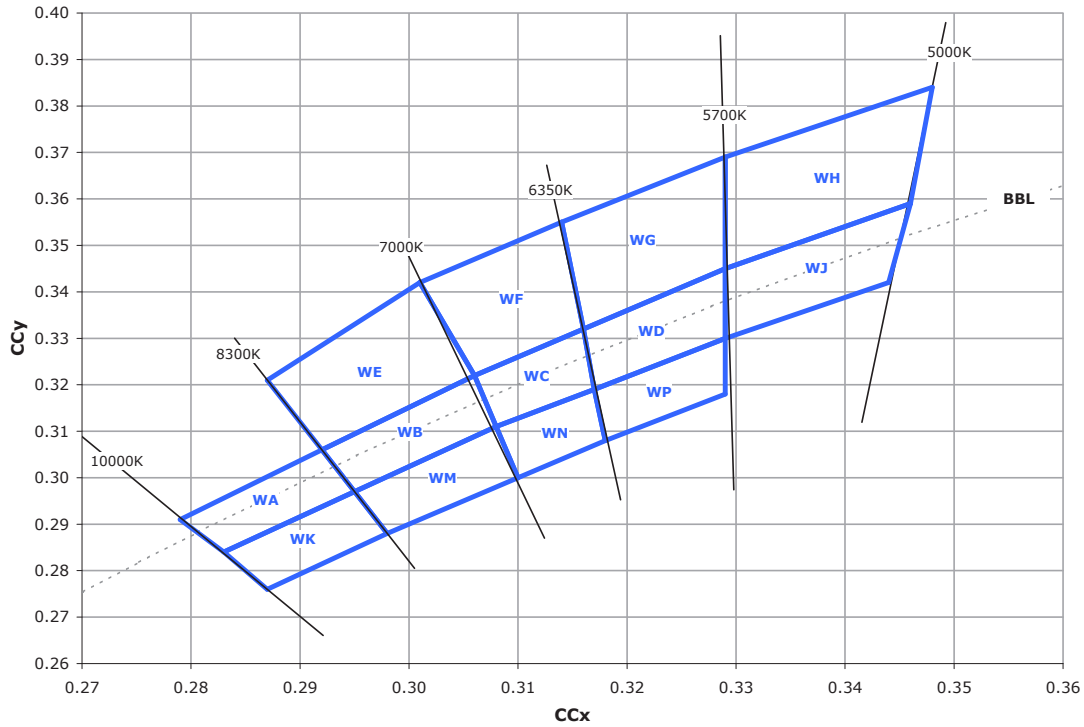
## Performance Groups – Forward Voltage

Amber, red-orange and red XLamp LEDs are tested for forward voltage and sorted into one of the forward voltage bins defined below.

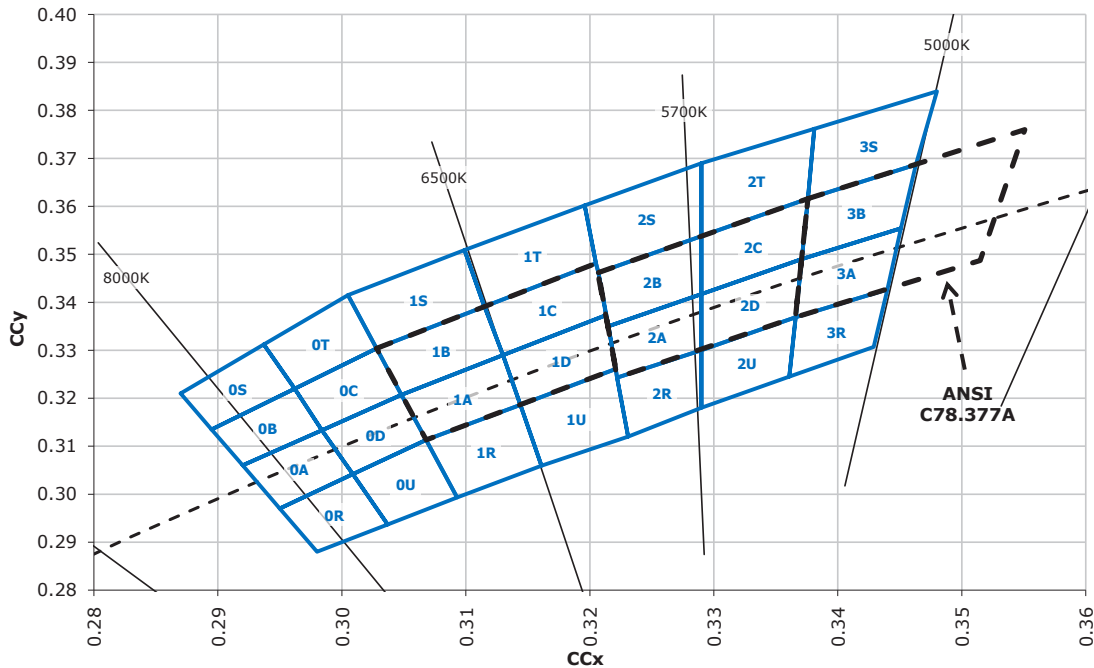
Forward Voltage Group	Min. Forward Voltage @ 350 mA	Max. Forward Voltage @ 350 mA
B	1.75	2.0
C	2.0	2.25
D	2.25	2.5
E	2.5	2.75
F	2.75	3.0
G	3.0	3.25
H	3.25	3.5
J	3.5	3.75

## Cree's Standard Chromaticity Regions Plotted on the 1931 CIE Curve

### Cool White



### ANSI Cool White



This document is provided for informational purposes only and is not a warranty or a specification. For product specifications, please see the data sheets available at [www.cree.com](http://www.cree.com). For warranty information, please contact Cree Sales at [sales@cree.com](mailto:sales@cree.com).

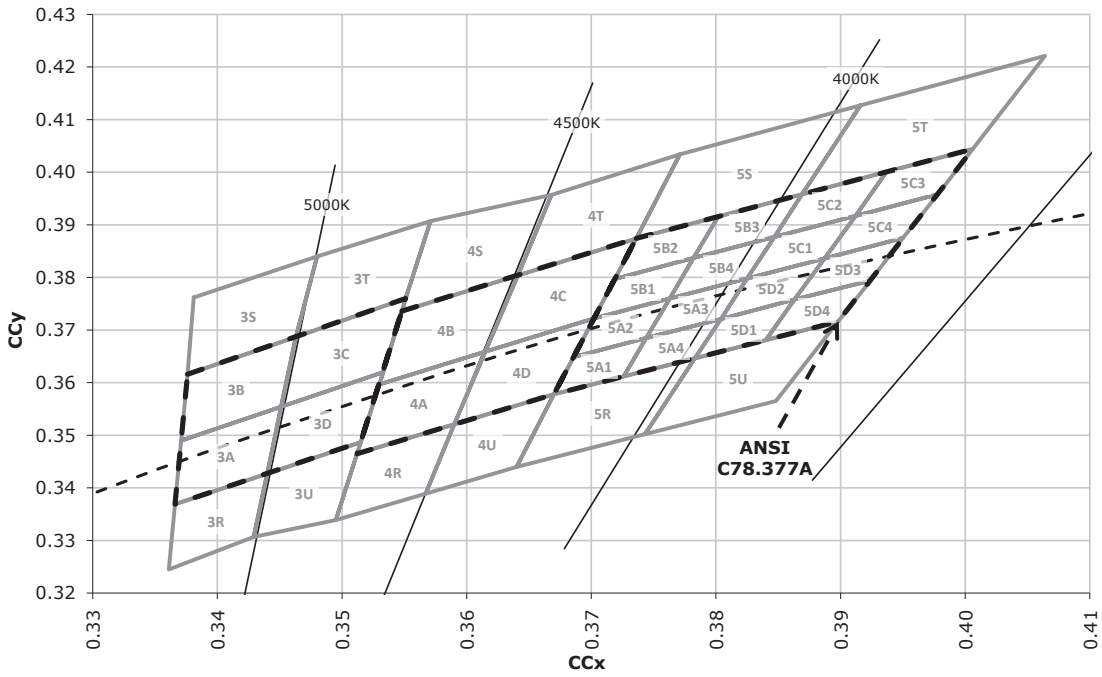
Copyright © 2008-2010 Cree, Inc. All rights reserved. The information in this document is subject to change without notice. Cree, the Cree logo and XLamp are registered trademarks of Cree, Inc.

Cree, Inc.  
4600 Silicon Drive  
Durham, NC 27703  
USA Tel: +1.919.313.5300  
[www.cree.com/xlamp](http://www.cree.com/xlamp)



## Cree's Standard Chromaticity Regions Plotted on the 1931 CIE Curve (continued)

Outdoor White



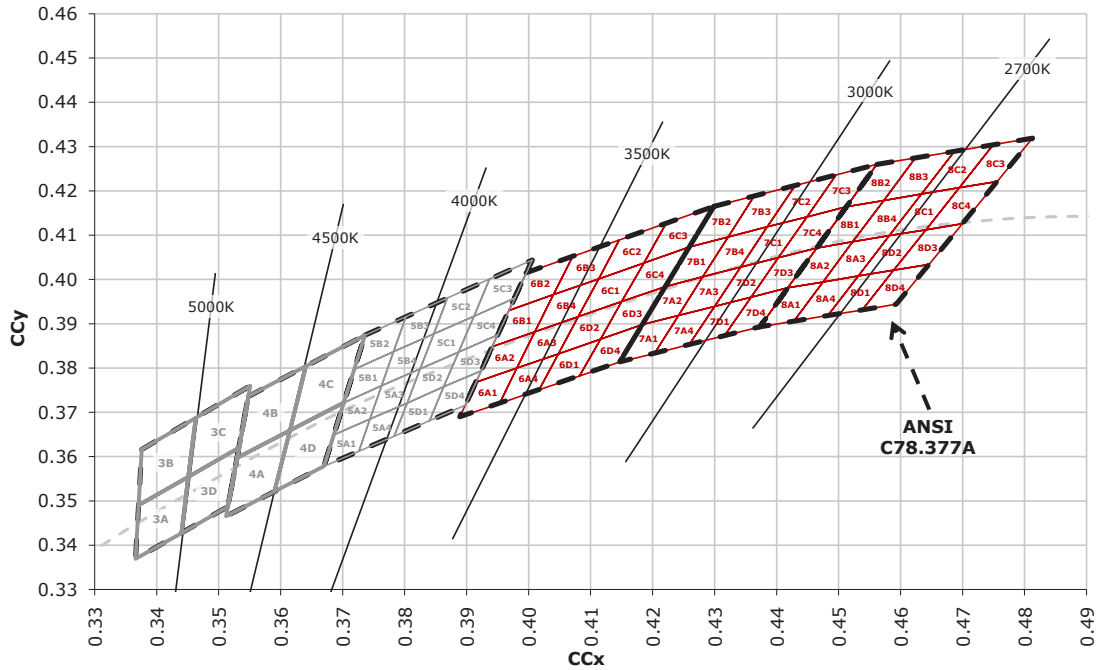
This document is provided for informational purposes only and is not a warranty or a specification. For product specifications, please see the data sheets available at [www.cree.com](http://www.cree.com). For warranty information, please contact Cree Sales at [sales@cree.com](mailto:sales@cree.com).

Copyright © 2008-2010 Cree, Inc. All rights reserved. The information in this document is subject to change without notice. Cree, the Cree logo and XLamp are registered trademarks of Cree, Inc.

Cree, Inc.  
4600 Silicon Drive  
Durham, NC 27703  
USA Tel: +1.919.313.5300  
[www.cree.com/xlamp](http://www.cree.com/xlamp)

## Cree's Standard Chromaticity Regions Plotted on the 1931 CIE Curve (continued)

ANSI Neutral White and ANSI warm white



Note: Effective July 31, 2009, Cree began sorting XLamp XP Family White LEDs with the new chromaticity structure for the CCT range 2700 K to 4300 K, as shown above, in order to provide more-detailed chromaticity information. There are no changes to XLamp XP Family White order codes. Customers with order codes containing any of the chromaticity bins 5A, 5B, 5C, 5D, 6A, 6B, 6C, 6D, 7A, 7B, 7C, 7D, 8A, 8B, 8C, 8D will automatically begin receiving the new chromaticity bins.

Please note that there is no change to existing inventory at Cree or at Cree's distributors, so customers may not see the new chromaticity bins for a period of time.



## Standard Order Codes and Bins (XP-C Cool White)

The following tables list standard kit numbers and performance bins. Kit numbers completely describe an order code's chromaticity regions and luminous flux range.

XLamp XP-C LED Standard Order Codes - White			
Min. Luminous Flux (lm) @ 350 mA*		Chromaticity Regions	Kit Number
Group	Flux (lm)		
Cool White (5000 K - 10,000 K)			
P4	80.6	WA, WB, WC, WD, WE, WF, WG, WH, WJ, WK, WM, WN, WP	00901
		WC, WD, WF, WG	00902
		WC, WD, WF, WG, WH, WJ, WN, WP	00903
Q2	87.4	WA, WB, WC, WD, WE, WF, WG, WH, WJ, WK, WM, WN, WP	00A01
		WC, WD, WF, WG	00A02
		WC, WD, WF, WG, WH, WJ, WN, WP	00A03
Q3	93.9	WA, WB, WC, WD, WE, WF, WG, WH, WJ, WK, WM, WN, WP	00B01
		WC, WD, WF, WG	00B02
		WC, WD, WF, WG, WH, WJ, WN, WP	00B03
Q4	100	WA, WB, WC, WD, WE, WF, WG, WH, WJ, WK, WM, WN, WP	00C01
		WC, WD, WF, WG	00C02
		WC, WD, WF, WG, WH, WJ, WN, WP	00C03

For other flux and chromaticity combinations, contact Cree or an authorized distributor.

\* Cree XLamp XP Family order codes specify only a minimum flux bin and not a maximum. Cree may ship reels in flux bins higher than the minimum specified by the order code without advance notice. Shipments will always adhere to the chromaticity or DWL bin restrictions specified by the order code.

## Standard Order Codes and Bins (XP-C ANSI Cool White)

XLamp XP-C LED Standard Order Codes - White			
Min. Luminous Flux (lm) @ 350 mA*		Chromaticity Regions	Kit Number
Group	Flux (lm)		
ANSI Cool White (5000 K - 8300 K)			
P4	80.6	0A, 0B, 0C, 0D, 0R, 0S, 0T, 0U, 1A, 1B, 1C, 1D, 1R, 1S, 1T, 1U, 2A, 2B, 2C, 2D, 2R, 2S, 2T, 2U, 3A, 3B, 3R, 3S	00951
		1A, 1B, 1C, 1D, 1R, 1S, 1T, 1U, 2A, 2B, 2C, 2D, 2R, 2S, 2T, 3A, 3B, 3S	00953
		1A, 1B, 1C, 1D, 2A, 2B, 2C, 2D	00950
Q2	87.4	0A, 0B, 0C, 0D, 0R, 0S, 0T, 0U, 1A, 1B, 1C, 1D, 1R, 1S, 1T, 1U, 2A, 2B, 2C, 2D, 2R, 2S, 2T, 2U, 3A, 3B, 3R, 3S	00A51
		1A, 1B, 1C, 1D, 1R, 1S, 1T, 1U, 2A, 2B, 2C, 2D, 2R, 2S, 2T, 3A, 3B, 3S	00A53
		1A, 1B, 1C, 1D, 2A, 2B, 2C, 2D	00A50
Q3	93.9	0A, 0B, 0C, 0D, 0R, 0S, 0T, 0U, 1A, 1B, 1C, 1D, 1R, 1S, 1T, 1U, 2A, 2B, 2C, 2D, 2R, 2S, 2T, 2U, 3A, 3B, 3R, 3S	00B51
		1A, 1B, 1C, 1D, 1R, 1S, 1T, 1U, 2A, 2B, 2C, 2D, 2R, 2S, 2T, 3A, 3B, 3S	00B53
		1A, 1B, 1C, 1D, 2A, 2B, 2C, 2D	00B50
Q4	100	0A, 0B, 0C, 0D, 0R, 0S, 0T, 0U, 1A, 1B, 1C, 1D, 1R, 1S, 1T, 1U, 2A, 2B, 2C, 2D, 2R, 2S, 2T, 2U, 3A, 3B, 3R, 3S	00C51
		1A, 1B, 1C, 1D, 1R, 1S, 1T, 1U, 2A, 2B, 2C, 2D, 2R, 2S, 2T, 3A, 3B, 3S	00C53
		1A, 1B, 1C, 1D, 2A, 2B, 2C, 2D	00C50



## Standard Order Codes and Bins (XP-C Neutral White)

The following tables list standard kit numbers and performance bins. Kit numbers completely describe an order code's chromaticity regions and luminous flux range.

XLamp XP-C LED Standard Order Codes - White				
Min Luminous Flux (lm) @ 350 mA*		Chromaticity Regions	Kit Number	CCT
Group	Flux (lm)			
Neutral White (3700 K – 5000 K)				
P2	67.2	4C, 4D, 5A1, 5A2, 5A3, 5A4, 5B1, 5B2, 5B3, 5B4	007F5	4300 K
		5A1, 5A2, 5A3, 5A4, 5B1, 5B2, 5B3, 5B4, 5C1, 5C2, 5C3, 5C4, 5D1, 5D2, 5D3, 5D4	007E5	4000 K
		5C1, 5C2, 5C3, 5C4, 5D1, 5D2, 5D3, 5D4, 6A1, 6A2, 6A3, 6A4, 6B1, 6B2, 6B3, 6B4	007F6	3700 K
P3	73.9	3A, 3B, 3C, 3D	008E3	5000 K
		3C, 3D, 4A, 4B	008F4	4750 K
		4A, 4B, 4C, 4D	008E4	4500 K
		4C, 4D, 5A1, 5A2, 5A3, 5A4, 5B1, 5B2, 5B3, 5B4	008F5	4300 K
		5A1, 5A2, 5A3, 5A4, 5B1, 5B2, 5B3, 5B4, 5C1, 5C2, 5C3, 5C4, 5D1, 5D2, 5D3, 5D4,	008E5	4000 K
		5C1, 5C2, 5C3, 5C4, 5D1, 5D2, 5D3, 5D4, 6A1, 6A2, 6A3, 6A4, 6B1, 6B2, 6B3, 6B4	008F6	3700 K
P4	80.6	3A, 3B, 3C, 3D	009E3	5000 K
		3C, 3D, 4A, 4B	009F4	4750 K
		4A, 4B, 4C, 4D	009E4	4500 K
		4C, 4D, 5A1, 5A2, 5A3, 5A4, 5B1, 5B2, 5B3, 5B4	009F5	4300 K
		5A1, 5A2, 5A3, 5A4, 5B1, 5B2, 5B3, 5B4, 5C1, 5C2, 5C3, 5C4, 5D1, 5D2, 5D3, 5D4	009E5	4000 K
		5C1, 5C2, 5C3, 5C4, 5D1, 5D2, 5D3, 5D4, 6A1, 6A2, 6A3, 6A4, 6B1, 6B2, 6B3, 6B4	009F6	3700 K
Q2	87.4	3A, 3B, 3C, 3D	00AE3	5000 K
		3C, 3D, 4A, 4B	00AF4	4750 K
		4A, 4B, 4C, 4D	00AE4	4500 K

For other flux and chromaticity combinations, contact Cree or an authorized distributor.

\* Cree XLamp XP Family order codes specify only a minimum flux bin and not a maximum. Cree may ship reels in flux bins higher than the minimum specified by the order code without advance notice. Shipments will always adhere to the chromaticity or DWL bin restrictions specified by the order code.



## Standard Order Codes and Bins (XP-C Warm White)

The following tables list standard kit numbers and performance bins. Kit numbers completely describe an order code's chromaticity regions and luminous flux range.

XLamp XP-C LED Standard Order Codes - White				
Min Luminous Flux (lm) @ 350 mA*		Chromaticity Regions	Kit Number	CCT
Group	Flux (lm)			
Warm White (2600 K – 3700 K)				
N3	56.8	7C1, 7C2, 7C3, 7C4, 7D1, 7D2, 7D3, 7D4, 8A1, 8A2, 8A3, 8A4, 8B1, 8B2, 8B3, 8B4	005F8	2900 K
		8A1, 8A2, 8A3, 8A4, 8B1, 8B2, 8B3, 8B4, 8C1, 8C2, 8C3, 8C4, 8D1, 8D2, 8D3, 8D4	005E8	2700 K
N4	62.0	6C1, 6C2, 6C3, 6C4, 6D1, 6D2, 6D3, 6D4, 7A1, 7A2, 7A3, 7A4, 7B1, 7B2, 7B3, 7B4	006F7	3200 K
		7A1, 7A2, 7A3, 7A4, 7B1, 7B2, 7B3, 7B4, 7C1, 7C2, 7C3, 7C4, 7D1, 7D2, 7D3, 7D4	006E7	3000 K
		7C1, 7C2, 7C3, 7C4, 7D1, 7D2, 7D3, 7D4, 8A1, 8A2, 8A3, 8A4, 8B1, 8B2, 8B3, 8B4	006F8	2900 K
		8A1, 8A2, 8A3, 8A4, 8B1, 8B2, 8B3, 8B4, 8C1, 8C2, 8C3, 8C4, 8D1, 8D2, 8D3, 8D4	006E8	2700 K
P2	67.2	6A1, 6A2, 6A3, 6A4, 6B1, 6B2, 6B3, 6B4, 6C1, 6C2, 6C3, 6C4, 6D1, 6D2, 6D3, 6D4	007E6	3500 K
		6C1, 6C2, 6C3, 6C4, 6D1, 6D2, 6D3, 6D4, 7A1, 7A2, 7A3, 7A4, 7B1, 7B2, 7B3, 7B4	007F7	3200 K
		7A1, 7A2, 7A3, 7A4, 7B1, 7B2, 7B3, 7B4, 7C1, 7C2, 7C3, 7C4, 7D1, 7D2, 7D3, 7D4	007E7	3000 K
		7C1, 7C2, 7C3, 7C4, 7D1, 7D2, 7D3, 7D4, 8A1, 8A2, 8A3, 8A4, 8B1, 8B2, 8B3, 8B4	007F8	2900 K
		8A1, 8A2, 8A3, 8A4, 8B1, 8B2, 8B3, 8B4, 8C1, 8C2, 8C3, 8C4, 8D1, 8D2, 8D3, 8D4	007E8	2700 K
P3	73.9	6A1, 6A2, 6A3, 6A4, 6B1, 6B2, 6B3, 6B4, 6C1, 6C2, 6C3, 6C4, 6D1, 6D2, 6D3, 6D4	008E6	3500 K
		6C1, 6C2, 6C3, 6C4, 6D1, 6D2, 6D3, 6D4, 7A1, 7A2, 7A3, 7A4, 7B1, 7B2, 7B3, 7B4	008F7	3200 K
		7A1, 7A2, 7A3, 7A4, 7B1, 7B2, 7B3, 7B4, 7C1, 7C2, 7C3, 7C4, 7D1, 7D2, 7D3, 7D4	008E7	3000 K
P4	80.6	6A1, 6A2, 6A3, 6A4, 6B1, 6B2, 6B3, 6B4, 6C1, 6C2, 6C3, 6C4, 6D1, 6D2, 6D3, 6D4	009E6	3500 K

For other flux and chromaticity combinations, contact Cree or an authorized distributor.

\* Cree XLamp XP Family order codes specify only a minimum flux bin and not a maximum. Cree may ship reels in flux bins higher than the minimum specified by the order code without advance notice. Shipments will always adhere to the chromaticity or DWL bin restrictions specified by the order code.



## Standard Order Codes and Bins (XP-C Color)

The following tables list standard kit numbers and performance bins. Kit numbers completely describe an order code's dominant-wavelength range and or radiant-flux range.

Color	Min. Radiant Flux (mW) @ 350 mA*		Calculated Min. Radiant Flux (mW) @ 125 mA*	Dominant Wavelength (nm)				Kit Number
	Group	Flux (mW)		Min.		Max.		
			Group	DWL (nm)	Group	DWL (nm)		
Royal Blue	12	250	104	D3	450	D5	465	00701
				D3	450	D4	460	00702
				D4	455	D5	465	00703
	13	300	124	D3	450	D5	465	00801
				D3	450	D4	460	00802
				D4	455	D5	465	00803

The following tables list standard kit numbers and performance bins. Kit numbers completely describe an order code's dominant-wavelength range and luminous-flux range.

Color	Min. Luminous Flux (lm) @ 350 mA*		Calculated Min. Luminous Flux (lm) @ 125 mA*	Dominant Wavelength (nm)				Kit Number
	Group	Flux (lm)		Min.		Max.		
			Group	DWL (nm)	Group	DWL (nm)		
Blue	G	13.9	6.4	B3	465	B6	485	00U01
				B3	465	B5	480	00U02
				B4	470	B5	480	00U05
	H	18.1	8.3	B3	465	B6	485	00V01
				B3	465	B5	480	00V02
				B4	470	B5	480	00V05
Green	N2	51.7	25.6	G2	520	G4	535	00401
				G2	520	G3	530	00402
				G3	525	G4	535	00403
	N3	56.8	28.2	G2	520	G4	535	00501
				G2	520	G3	530	00502
				G3	525	G4	535	00503
	N4	62.0	30.8	G2	520	G4	535	00601
				G2	520	G3	530	00602
				G3	525	G4	535	00603
	P2	67.2	33.3	G2	520	G4	535	00701
				G2	520	G3	530	00702
				G3	525	G4	535	00703
	P3	73.9	36.7	G2	520	G4	535	00801
				G2	520	G3	530	00802
				G3	525	G4	535	00803



## Standard Order Codes and Bins (XP-C Color continued)

Color	Min. Luminous Flux (lm) @ 350 mA*		Calculated Min. Luminous Flux (lm) @ 125 mA*	Dominant Wavelength (nm)				Kit Number
				Min.		Max.		
Amber	K3	35.2	13.2	A2	585	A3	595	00Z01
	M2	39.8	14.9	A2	585	A3	595	00Z01
	M3	45.7	17.1	A2	585	A3	595	00301
	N2	51.7	19.4	A2	585	A3	595	00401
Red-Orange	M2	39.8	15.2	O3	610	O4	620	00201
	M3	45.7	17.5	O3	610	O4	620	00301
	N2	51.7	19.8	O3	610	O4	620	00401
	N3	56.8	21.7	O3	610	O4	620	00501
Red	K2	30.6	11.7	R2	620	R3	630	00Y01
	K3	35.2	13.4	R2	620	R3	630	00Z01
	M2	39.8	15.2	R2	620	R3	630	00201
	M3	45.7	17.5	R2	620	R3	630	00301

\* Calculated values for reference only



## Standard Order Codes and Bins (XP-E Cool White)

The following tables list standard kit numbers and performance bins. Kit numbers completely describe an order code's chromaticity regions and luminous flux range.

XLamp XP-E LED Standard Order Codes - White			
Min. Luminous Flux (lm) @ 350 mA*		Chromaticity Regions	Kit Number
Group	Flux (lm)		
Cool White (5000 K – 10,000 K)			
Q4	100	WA, WB, WC, WD, WE, WF, WG, WH, WJ, WK, WM, WN, WP	00C01
		WC, WD, WF, WG	00C02
		WC, WD, WF, WG, WH, WJ, WN, WP	00C03
Q5	107	WA, WB, WC, WD, WE, WF, WG, WH, WJ, WK, WM, WN, WP	00D01
		WC, WD, WF, WG	00D02
		WC, WD, WF, WG, WH, WJ, WN, WP	00D03
R2	114	WA, WB, WC, WD, WE, WF, WG, WH, WJ, WK, WM, WN, WP	00E01
		WC, WD, WF, WG	00E02
		WC, WD, WF, WG, WH, WJ, WN, WP	00E03
R3	122	WA, WB, WC, WD, WE, WF, WG, WH, WJ, WK, WM, WN, WP	00F01
		WC, WD, WF, WG	00F02
		WC, WD, WF, WG, WH, WJ, WN, WP	00F03

For other flux and chromaticity combinations, contact Cree or an authorized distributor.

\* Cree XLamp XP Family order codes specify only a minimum flux bin and not a maximum. Cree may ship reels in flux bins higher than the minimum specified by the order code without advance notice. Shipments will always adhere to the chromaticity or DWL bin restrictions specified by the order code.



## Standard Order Codes and Bins (XP-E ANSI Cool White)

XLamp XP-E LED Standard Order Codes - White			
Min. Luminous Flux (lm) @ 350 mA*		Chromaticity Regions	Kit Number
Group	Flux (lm)		
ANSI Cool White (5000 K - 8300 K)			
Q4	100	0A, 0B, 0C, 0D, 0R, 0S, 0T, 0U, 1A, 1B, 1C, 1D, 1R, 1S, 1T, 1U, 2A, 2B, 2C, 2D, 2R, 2S, 2T, 2U, 3A, 3B, 3R, 3S	00C51
		1A, 1B, 1C, 1D, 1R, 1S, 1T, 1U, 2A, 2B, 2C, 2D, 2R, 2S, 2T, 3A, 3B, 3S	00C53
		1A, 1B, 1C, 1D, 2A, 2B, 2C, 2D	00C50
Q5	107	0A, 0B, 0C, 0D, 0R, 0S, 0T, 0U, 1A, 1B, 1C, 1D, 1R, 1S, 1T, 1U, 2A, 2B, 2C, 2D, 2R, 2S, 2T, 2U, 3A, 3B, 3R, 3S	00D51
		1A, 1B, 1C, 1D, 1R, 1S, 1T, 1U, 2A, 2B, 2C, 2D, 2R, 2S, 2T, 3A, 3B, 3S	00D53
		1A, 1B, 1C, 1D, 2A, 2B, 2C, 2D	00D50
R2	114	0A, 0B, 0C, 0D, 0R, 0S, 0T, 0U, 1A, 1B, 1C, 1D, 1R, 1S, 1T, 1U, 2A, 2B, 2C, 2D, 2R, 2S, 2T, 2U, 3A, 3B, 3R, 3S	00E51
		1A, 1B, 1C, 1D, 1R, 1S, 1T, 1U, 2A, 2B, 2C, 2D, 2R, 2S, 2T, 3A, 3B, 3S	00E53
		1A, 1B, 1C, 1D, 2A, 2B, 2C, 2D	00E50
R3	122	0A, 0B, 0C, 0D, 0R, 0S, 0T, 0U, 1A, 1B, 1C, 1D, 1R, 1S, 1T, 1U, 2A, 2B, 2C, 2D, 2R, 2S, 2T, 2U, 3A, 3B, 3R, 3S	00F51
		1A, 1B, 1C, 1D, 1R, 1S, 1T, 1U, 2A, 2B, 2C, 2D, 2R, 2S, 2T, 3A, 3B, 3S	00F53
		1A, 1B, 1C, 1D, 2A, 2B, 2C, 2D	00F50

For other flux and chromaticity combinations, contact Cree or an authorized distributor.

\* Cree XLamp XP Family order codes specify only a minimum flux bin and not a maximum. Cree may ship reels in flux bins higher than the minimum specified by the order code without advance notice. Shipments will always adhere to the chromaticity or DWL bin restrictions specified by the order code.



## Standard Order Codes and Bins (XP-E Outdoor White)

XLamp XP-E LED Standard Order Codes - White				
Min. Luminous Flux (lm) @ 350 mA*		Chromaticity Regions	Kit Number**	CCT
Group	Flux (lm)			
Outdoor White (4000 K – 5300 K)				
Q3	93.9	3A, 3B, 3C, 3D, 3R, 3S, 3T, 3U, 4A, 4B, 4R, 4S	00BC1	5000 K
		3A, 3B, 3C, 3D, 3R, 3S, 3T, 3U, 4A, 4B, 4C, 4D, 4R, 4S, 4T, 4U	00BD1	4750 K
		3C, 3D, 3T, 3U, 4A, 4B, 4C, 4D, 4R, 4S, 4T, 4U	00BC2	4500 K
		3C, 3D, 3T, 3U, 4A, 4B, 4C, 4D, 4R, 4S, 4T, 4U, 5A1, 5A2, 5A3, 5A4, 5B1, 5B2, 5B3, 5B4, 5R, 5S	00BD2	4500 K
		4A, 4B, 4C, 4D, 4R, 4S, 4T, 4U, 5A1, 5A2, 5A3, 5A4, 5B1, 5B2, 5B3, 5B4, 5R, 5S	00BC3	4300 K
Q4	100	3A, 3B, 3C, 3D, 3R, 3S, 3T, 3U, 4A, 4B, 4R, 4S	00CC1	5000 K
		3A, 3B, 3C, 3D, 3R, 3S, 3T, 3U, 4A, 4B, 4C, 4D, 4R, 4S, 4T, 4U	00CD1	4750 K
		3C, 3D, 3T, 3U, 4A, 4B, 4C, 4D, 4R, 4S, 4T, 4U	00CC2	4500 K
		3C, 3D, 3T, 3U, 4A, 4B, 4C, 4D, 4R, 4S, 4T, 4U, 5A1, 5A2, 5A3, 5A4, 5B1, 5B2, 5B3, 5B4, 5R, 5S	00CD2	4500 K
		4A, 4B, 4C, 4D, 4R, 4S, 4T, 4U, 5A1, 5A2, 5A3, 5A4, 5B1, 5B2, 5B3, 5B4, 5R, 5S	00CC3	4300 K
Q5	107	3A, 3B, 3C, 3D, 3R, 3S, 3T, 3U, 4A, 4B, 4R, 4S	00DC1	5000 K
		3A, 3B, 3C, 3D, 3R, 3S, 3T, 3U, 4A, 4B, 4C, 4D, 4R, 4S, 4T, 4U	00DD1	4750 K
		3C, 3D, 3T, 3U, 4A, 4B, 4C, 4D, 4R, 4S, 4T, 4U	00DC2	4500 K
		3C, 3D, 3T, 3U, 4A, 4B, 4C, 4D, 4R, 4S, 4T, 4U, 5A1, 5A2, 5A3, 5A4, 5B1, 5B2, 5B3, 5B4, 5R, 5S	00DD2	4500 K
		4A, 4B, 4C, 4D, 4R, 4S, 4T, 4U, 5A1, 5A2, 5A3, 5A4, 5B1, 5B2, 5B3, 5B4, 5R, 5S	00DC3	4300 K
R2	114	3A, 3B, 3C, 3D, 3R, 3S, 3T, 3U, 4A, 4B, 4R, 4S	00EC1	5000 K
		3A, 3B, 3C, 3D, 3R, 3S, 3T, 3U, 4A, 4B, 4C, 4D, 4R, 4S, 4T, 4U	00ED1	4750 K
		3C, 3D, 3T, 3U, 4A, 4B, 4C, 4D, 4R, 4S, 4T, 4U	00EC2	4500 K
		3C, 3D, 3T, 3U, 4A, 4B, 4C, 4D, 4R, 4S, 4T, 4U, 5A1, 5A2, 5A3, 5A4, 5B1, 5B2, 5B3, 5B4, 5R, 5S	00ED2	4500 K
		4A, 4B, 4C, 4D, 4R, 4S, 4T, 4U, 5A1, 5A2, 5A3, 5A4, 5B1, 5B2, 5B3, 5B4, 5R, 5S	00EC3	4300 K

For other flux and chromaticity combinations, contact Cree or an authorized distributor.

\* Cree XLamp XP Family order codes specify only a minimum flux bin and not a maximum. Cree may ship reels in flux bins higher than the minimum specified by the order code without advance notice. Shipments will always adhere to the chromaticity or DWL bin restrictions specified by the order code.

\*\* XLamp XP-E Outdoor White order codes begin with XPEWHT-01. Please note this change when ordering XLamp XP-E Outdoor White LEDs.



## Standard Order Codes and Bins (XP-E Neutral White)

The following tables list standard kit numbers and performance bins. Kit numbers completely describe an order code's chromaticity regions and luminous flux range.

XLamp XP-E LED Standard Order Codes - White				
Minimum Luminous Flux (lm) @ 350 mA*		Chromaticity Regions	Kit Number	CCT
Group	Flux (lm)			
Neutral White (3700 K - 5000 K)				
P4	80.6	5C1, 5C2, 5C3, 5C4, 5D1, 5D2, 5D3, 5D4, 6A1, 6A2, 6A3, 6A4, 6B1, 6B2, 6B3, 6B4	009F6	3700 K
Q2	87.4	4C, 4D, 5A1, 5A2, 5A3, 5A4, 5B1, 5B2, 5B3, 5B4	00AF5	4300 K
		5A1, 5A2, 5A3, 5A4, 5B1, 5B2, 5B3, 5B4, 5C1, 5C2, 5C3, 5C4, 5D1, 5D2, 5D3, 5D4	00AE5	4000 K
		5C1, 5C2, 5C3, 5C4, 5D1, 5D2, 5D3, 5D4, 6A1, 6A2, 6A3, 6A4, 6B1, 6B2, 6B3, 6B4	00AF6	3700 K
Q3	93.9	3A, 3B, 3C, 3D	00BE3	5000 K
		3C, 3D, 4A, 4B	00BF4	4750 K
		4A, 4B, 4C, 4D	00BE4	4500 K
		4C, 4D, 5A1, 5A2, 5A3, 5A4, 5B1, 5B2, 5B3, 5B4	00BF5	4300 K
		5A1, 5A2, 5A3, 5A4, 5B1, 5B2, 5B3, 5B4, 5C1, 5C2, 5C3, 5C4, 5D1, 5D2, 5D3, 5D4	00BE5	4000 K
		5C1, 5C2, 5C3, 5C4, 5D1, 5D2, 5D3, 5D4, 6A1, 6A2, 6A3, 6A4, 6B1, 6B2, 6B3, 6B4	00BF6	3700 K
Q4	100	3A, 3B, 3C, 3D	00CE3	5000 K
		3C, 3D, 4A, 4B	00CF4	4750 K
		4A, 4B, 4C, 4D	00CE4	4500 K
		4C, 4D, 5A1, 5A2, 5A3, 5A4, 5B1, 5B2, 5B3, 5B4	00CF5	4300 K
		5A1, 5A2, 5A3, 5A4, 5B1, 5B2, 5B3, 5B4, 5C1, 5C2, 5C3, 5C4, 5D1, 5D2, 5D3, 5D4	00CE5	4000 K
Q5	107	3A, 3B, 3C, 3D	00DE3	5000 K
		3C, 3D, 4A, 4B	00DF4	4750 K
		4A, 4B, 4C, 4D	00DE4	4500 K

For other flux and chromaticity combinations, contact Cree or an authorized distributor.

\* Cree XLamp XP Family order codes specify only a minimum flux bin and not a maximum. Cree may ship reels in flux bins higher than the minimum specified by the order code without advance notice. Shipments will always adhere to the chromaticity or DWL bin restrictions specified by the order code.



## Standard Order Codes and Bins (XP-E Warm White)

The following tables list standard kit numbers and performance bins. Kit numbers completely describe an order code's chromaticity regions and luminous flux range.

XLamp XP-E LED Standard Order Codes - White				
Minimum Luminous Flux (lm) @ 350 mA*		Chromaticity Regions	Kit Number	CCT
Group	Flux (lm)			
Warm White (2600 K - 3700 K)				
P2	67.2	7C1, 7C2, 7C3, 7C4, 7D1, 7D2, 7D3, 7D4, 8A1, 8A2, 8A3, 8A4, 8B1, 8B2, 8B3, 8B4	007F8	2900 K
		8A1, 8A2, 8A3, 8A4, 8B1, 8B2, 8B3, 8B4, 8C1, 8C2, 8C3, 8C4, 8D1, 8D2, 8D3, 8D4	007E8	2700 K
P3	73.9	6C1, 6C2, 6C3, 6C4, 6D1, 6D2, 6D3, 6D4, 7A1, 7A2, 7A3, 7A4, 7B1, 7B2, 7B3, 7B4	008F7	3200 K
		7A1, 7A2, 7A3, 7A4, 7B1, 7B2, 7B3, 7B4, 7C1, 7C2, 7C3, 7C4, 7D1, 7D2, 7D3, 7D4	008E7	3000 K
		7C1, 7C2, 7C3, 7C4, 7D1, 7D2, 7D3, 7D4, 8A1, 8A2, 8A3, 8A4, 8B1, 8B2, 8B3, 8B4	008F8	2900 K
P4	80.6	8A1, 8A2, 8A3, 8A4, 8B1, 8B2, 8B3, 8B4, 8C1, 8C2, 8C3, 8C4, 8D1, 8D2, 8D3, 8D4	008E8	2700 K
		6A1, 6A2, 6A3, 6A4, 6B1, 6B2, 6B3, 6B4, 6C1, 6C2, 6C3, 6C4, 6D1, 6D2, 6D3, 6D4	009E6	3500 K
		6C1, 6C2, 6C3, 6C4, 6D1, 6D2, 6D3, 6D4, 7A1, 7A2, 7A3, 7A4, 7B1, 7B2, 7B3, 7B4	009F7	3200 K
		7A1, 7A2, 7A3, 7A4, 7B1, 7B2, 7B3, 7B4, 7C1, 7C2, 7C3, 7C4, 7D1, 7D2, 7D3, 7D4	009E7	3000 K
Q2	87.4	7C1, 7C2, 7C3, 7C4, 7D1, 7D2, 7D3, 7D4, 8A1, 8A2, 8A3, 8A4, 8B1, 8B2, 8B3, 8B4	009F8	2900 K
		8A1, 8A2, 8A3, 8A4, 8B1, 8B2, 8B3, 8B4, 8C1, 8C2, 8C3, 8C4, 8D1, 8D2, 8D3, 8D4	009E8	2700 K
		6A1, 6A2, 6A3, 6A4, 6B1, 6B2, 6B3, 6B4, 6C1, 6C2, 6C3, 6C4, 6D1, 6D2, 6D3, 6D4	00AE6	3500 K
Q3	93.9	6C1, 6C2, 6C3, 6C4, 6D1, 6D2, 6D3, 6D4, 7A1, 7A2, 7A3, 7A4, 7B1, 7B2, 7B3, 7B4	00AF7	3200 K
		7A1, 7A2, 7A3, 7A4, 7B1, 7B2, 7B3, 7B4, 7C1, 7C2, 7C3, 7C4, 7D1, 7D2, 7D3, 7D4	00AE7	3000 K
		6A1, 6A2, 6A3, 6A4, 6B1, 6B2, 6B3, 6B4, 6C1, 6C2, 6C3, 6C4, 6D1, 6D2, 6D3, 6D4	00BE6	3500 K
		6C1, 6C2, 6C3, 6C4, 6D1, 6D2, 6D3, 6D4, 7A1, 7A2, 7A3, 7A4, 7B1, 7B2, 7B3, 7B4	00BF7	3200 K
		7A1, 7A2, 7A3, 7A4, 7B1, 7B2, 7B3, 7B4, 7C1, 7C2, 7C3, 7C4, 7D1, 7D2, 7D3, 7D4	00BE7	3000 K

For other flux and chromaticity combinations, contact Cree or an authorized distributor.

\* Cree XLamp XP Family order codes specify only a minimum flux bin and not a maximum. Cree may ship reels in flux bins higher than the minimum specified by the order code without advance notice. Shipments will always adhere to the chromaticity or DWL bin restrictions specified by the order code.



## Standard Order Codes and Bins (XP-E Color)

The following tables list standard kit numbers and performance bins. Kit numbers completely describe an order code's dominant-wavelength range and or radiant-flux range.

Color	Min. Radiant Flux (mW) @ 350 mA*		Dominant Wavelength (nm)				Kit Number
	Group	Flux (mW)	Min.		Max.		
			Group	DWL (nm)	Group	DWL (nm)	
Royal Blue	14	350	D3	450	D5	465	00901
			D3	450	D4	460	00902
			D4	455	D5	465	00903
	15	425	D3	450	D5	465	00A01
			D3	450	D4	460	00A02
			D4	455	D5	465	00A03

The following tables list standard kit numbers and performance bins. Kit numbers completely describe an order code's dominant-wavelength range and luminous-flux range.

XLamp XP-E LED Standard Order Codes - Blue, Green, Amber, Red-Orange, Red							
Color	Min. Luminous Flux (lm) @ 350 mA*		Dominant Wavelength (nm)				Kit Number
	Group	Flux (lm)	Min.		Max.		
			Group	DWL (nm)	Group	DWL (nm)	
Blue	J	23.5	B3	465	B6	485	00W01
			B3	465	B5	480	00W02
			B4	470	B5	480	00W05
	K2	30.6	B3	465	B6	485	00Y01
			B3	465	B5	480	00Y02
			B4	470	B5	480	00Y05
Green	P3	73.9	G2	520	G4	535	00801
			G2	520	G3	530	00802
			G3	525	G4	535	00803
	P4	80.6	G2	520	G4	535	00901
			G2	520	G3	530	00902
			G3	525	G4	535	00903
	Q2	87.4	G2	520	G4	535	00A01
			G2	520	G3	530	00A02
			G3	525	G4	535	00A03
	Q3	93.9	G2	520	G4	535	00B01
			G2	520	G3	530	00B02
			G3	525	G4	535	00B03
	Q4	100	G2	520	G4	535	00C01
			G2	520	G3	530	00C02
			G3	525	G4	535	00C03



## Standard Order Codes and Bins (XP-E Color continued)

XLamp XP-E LED Standard Order Codes - Blue, Green, Amber, Red-Orange, Red							
Color	Min. Luminous Flux (lm) @ 350 mA*		Dominant Wavelength (nm)				Kit Number
			Min.		Max.		
Amber	M3	45.7	A2	585	A3	595	00301
	N2	51.7	A2	585	A3	595	00401
	N3	56.8	A2	585	A3	595	00501
	N4	62.0	A2	585	A3	595	00601
Red-Orange	N3	56.8	O3	610	O4	620	00501
	N4	62.0	O3	610	O4	620	00601
	P2	67.2	O3	610	O4	620	00701
	P3	73.9	O3	610	O4	620	00801
Red	M2	39.8	R2	620	R3	630	00201
	M3	45.7	R2	620	R3	630	00301
	N2	51.7	R2	620	R3	630	00401
	N3	56.8	R2	620	R3	630	00501

## Standard Order Codes and Bins (XP-G ANSI Cool White)

The following tables list standard kit numbers and performance bins. Kit numbers completely describe an order code's chromaticity regions and luminous flux range.

XLamp XP-G LED Standard Order Codes - White			
Min. Luminous Flux (lm) @ 350 mA *		Chromaticity Regions	Kit Number
Group	Flux (lm)		
ANSI Cool White (5000 K – 8300 K)			
R2	114	0A, 0B, 0C, 0D, 0R, 0S, 0T, 0U, 1A, 1B, 1C, 1D, 1R, 1S, 1T, 1U, 2A, 2B, 2C, 2D, 2R, 2S, 2T, 2U, 3A, 3B, 3R, 3S	00E51
		1A, 1B, 1C, 1D, 1R, 1S, 1T, 1U, 2A, 2B, 2C, 2D, 2R, 2S, 2T, 3A, 3B, 3S	00E53
		1A, 1B, 1C, 1D, 2A, 2B, 2C, 2D	00E50
R3	122	0A, 0B, 0C, 0D, 0R, 0S, 0T, 0U, 1A, 1B, 1C, 1D, 1R, 1S, 1T, 1U, 2A, 2B, 2C, 2D, 2R, 2S, 2T, 2U, 3A, 3B, 3R, 3S	00F51
		1A, 1B, 1C, 1D, 1R, 1S, 1T, 1U, 2A, 2B, 2C, 2D, 2R, 2S, 2T, 3A, 3B, 3S	00F53
		1A, 1B, 1C, 1D, 2A, 2B, 2C, 2D	00F50
R4	130	0A, 0B, 0C, 0D, 0R, 0S, 0T, 0U, 1A, 1B, 1C, 1D, 1R, 1S, 1T, 1U, 2A, 2B, 2C, 2D, 2R, 2S, 2T, 2U, 3A, 3B, 3R, 3S	00G51
		1A, 1B, 1C, 1D, 1R, 1S, 1T, 1U, 2A, 2B, 2C, 2D, 2R, 2S, 2T, 3A, 3B, 3S	00G53
		1A, 1B, 1C, 1D, 2A, 2B, 2C, 2D	00G50
R5	139	0A, 0B, 0C, 0D, 0R, 0S, 0T, 0U, 1A, 1B, 1C, 1D, 1R, 1S, 1T, 1U, 2A, 2B, 2C, 2D, 2R, 2S, 2T, 2U, 3A, 3B, 3R, 3	00H51
		1A, 1B, 1C, 1D, 1R, 1S, 1T, 1U, 2A, 2B, 2C, 2D, 2R, 2S, 2T, 3A, 3B, 3S	00H53
		1A, 1B, 1C, 1D, 2A, 2B, 2C, 2D	00H50

For other flux and chromaticity combinations, contact Cree or an authorized distributor.

\* Cree XLamp XP Family order codes specify only a minimum flux bin and not a maximum. Cree may ship reels in flux bins higher than the minimum specified by the order code without advance notice. Shipments will always adhere to the chromaticity or DWL bin restrictions specified by the order code.



## Standard Order Codes and Bins (XP-G Outdoor White)

XLamp XP-G LED Standard Order Codes - White				
Min. Luminous Flux (lm) @ 350 mA*		Chromaticity Regions	Kit Number**	CCT
Group	Flux (lm)			
Outdoor White (4000 K – 5300 K)				
R2	114	3A, 3B, 3C, 3D, 3R, 3S, 3T, 3U, 4A, 4B, 4R, 4S	00EC1	5000 K
		3A, 3B, 3C, 3D, 3R, 3S, 3T, 3U, 4A, 4B, 4C, 4D, 4R, 4S, 4T, 4U	00ED1	4750 K
		3C, 3D, 3T, 3U, 4A, 4B, 4C, 4D, 4R, 4S, 4T, 4U	00EC2	4500 K
		3C, 3D, 3T, 3U, 4A, 4B, 4C, 4D, 4R, 4S, 4T, 4U, 5A1, 5A2, 5A3, 5A4, 5B1, 5B2, 5B3, 5B4, 5R, 5S	00ED2	4500 K
		4A, 4B, 4C, 4D, 4R, 4S, 4T, 4U, 5A1, 5A2, 5A3, 5A4, 5B1, 5B2, 5B3, 5B4, 5R, 5S	00EC3	4300 K
R3	122	3A, 3B, 3C, 3D, 3R, 3S, 3T, 3U, 4A, 4B, 4R, 4S	00FC1	5000 K
		3A, 3B, 3C, 3D, 3R, 3S, 3T, 3U, 4A, 4B, 4C, 4D, 4R, 4S, 4T, 4U	00FD1	4750 K
		3C, 3D, 3T, 3U, 4A, 4B, 4C, 4D, 4R, 4S, 4T, 4U	00FC2	4500 K
		3C, 3D, 3T, 3U, 4A, 4B, 4C, 4D, 4R, 4S, 4T, 4U, 5A1, 5A2, 5A3, 5A4, 5B1, 5B2, 5B3, 5B4, 5R, 5S	00FD2	4500 K
		4A, 4B, 4C, 4D, 4R, 4S, 4T, 4U, 5A1, 5A2, 5A3, 5A4, 5B1, 5B2, 5B3, 5B4, 5R, 5S	00FC3	4300 K
R4	130	3A, 3B, 3C, 3D, 3R, 3S, 3T, 3U, 4A, 4B, 4R, 4S	00GC1	5000 K
		3A, 3B, 3C, 3D, 3R, 3S, 3T, 3U, 4A, 4B, 4C, 4D, 4R, 4S, 4T, 4U	00GD1	4750 K
		3C, 3D, 3T, 3U, 4A, 4B, 4C, 4D, 4R, 4S, 4T, 4U	00GC2	4500 K
		3C, 3D, 3T, 3U, 4A, 4B, 4C, 4D, 4R, 4S, 4T, 4U, 5A1, 5A2, 5A3, 5A4, 5B1, 5B2, 5B3, 5B4, 5R, 5S	00GD2	4500 K
		4A, 4B, 4C, 4D, 4R, 4S, 4T, 4U, 5A1, 5A2, 5A3, 5A4, 5B1, 5B2, 5B3, 5B4, 5R, 5S	00GC3	4300 K

For other flux and chromaticity combinations, contact Cree or an authorized distributor.

\* Cree XLamp XP Family order codes specify only a minimum flux bin and not a maximum. Cree may ship reels in flux bins higher than the minimum specified by the order code without advance notice. Shipments will always adhere to the chromaticity or DWL bin restrictions specified by the order code.

\*\* XLamp XP-G Outdoor White order codes begin with XPGWHT-01. Please note this change when ordering XLamp XP-G Outdoor White LEDs.



## Standard Order Codes and Bins (XP-G Neutral White)

The following tables list standard kit numbers and performance bins. Kit numbers completely describe an order code's chromaticity regions and luminous flux range.

XLamp XP-G LED Standard Order Codes - White				
Minimum Luminous Flux (lm) @ 350 mA*		Chromaticity Regions	Kit Number	CCT
Group	Flux (lm)			
Neutral White (3700 K - 5000 K)				
Q5	107	3A, 3B, 3C, 3D	00DE3	5000 K
		3C, 3D, 4A, 4B	00DF4	4750 K
		4A, 4B, 4C, 4D	00DE4	4500 K
		4C, 4D, 5A1, 5A2, 5A3, 5A4, 5B1, 5B2, 5B3, 5B4	00DF5	4300 K
		5A1, 5A2, 5A3, 5A4, 5B1, 5B2, 5B3, 5B4, 5C1, 5C2, 5C3, 5C4, 5D1, 5D2, 5D3, 5D4	00DE5	4000 K
		5C1, 5C2, 5C3, 5C4, 5D1, 5D2, 5D3, 5D4, 6A1, 6A2, 6A3, 6A4, 6B1, 6B2, 6B3, 6B4	00DF6	3700 K
R2	114	3A, 3B, 3C, 3D	00EE3	5000 K
		3C, 3D, 4A, 4B	00EF4	4750 K
		4A, 4B, 4C, 4D	00EE4	4500 K
		4C, 4D, 5A1, 5A2, 5A3, 5A4, 5B1, 5B2, 5B3, 5B4	00EF5	4300 K
		5A1, 5A2, 5A3, 5A4, 5B1, 5B2, 5B3, 5B4, 5C1, 5C2, 5C3, 5C4, 5D1, 5D2, 5D3, 5D4	00EE5	4000 K
		5C1, 5C2, 5C3, 5C4, 5D1, 5D2, 5D3, 5D4, 6A1, 6A2, 6A3, 6A4, 6B1, 6B2, 6B3, 6B4	00EF6	3700 K
R3	122	3A, 3B, 3C, 3D	00FE3	5000 K
		3C, 3D, 4A, 4B	00FF4	4750 K
		4A, 4B, 4C, 4D	00FE4	4500 K
		4C, 4D, 5A1, 5A2, 5A3, 5A4, 5B1, 5B2, 5B3, 5B4	00FF5	4300 K
		5A1, 5A2, 5A3, 5A4, 5B1, 5B2, 5B3, 5B4, 5C1, 5C2, 5C3, 5C4, 5D1, 5D2, 5D3, 5D4	00FE5	4000 K

For other flux and chromaticity combinations, contact Cree or an authorized distributor.

\* Cree XLamp XP Family order codes specify only a minimum flux bin and not a maximum. Cree may ship reels in flux bins higher than the minimum specified by the order code without advance notice. Shipments will always adhere to the chromaticity or DWL bin restrictions specified by the order code.



## Standard Order Codes and Bins (XP-G Warm White)

The following tables list standard kit numbers and performance bins. Kit numbers completely describe an order code's chromaticity regions and luminous flux range.

XLamp XP-G LED Standard Order Codes - White				
Minimum Luminous Flux (lm) @ 350 mA*		Chromaticity Regions	Kit Number	CCT
Group	Flux (lm)			
Warm White (2600 K - 3700 K)				
Q3	93.9	7A1, 7A2, 7A3, 7A4, 7B1, 7B2, 7B3, 7B4, 7C1, 7C2, 7C3, 7C4, 7D1, 7D2, 7D3, 7D4	00BE7	3000 K
		7C1, 7C2, 7C3, 7C4, 7D1, 7D2, 7D3, 7D4, 8A1, 8A2, 8A3, 8A4, 8B1, 8B2, 8B3, 8B4	00BF8	2900 K
		8A1, 8A2, 8A3, 8A4, 8B1, 8B2, 8B3, 8B4, 8C1, 8C2, 8C3, 8C4, 8D1, 8D2, 8D3, 8D4	00BE8	2700 K
Q4	100	6A1, 6A2, 6A3, 6A4, 6B1, 6B2, 6B3, 6B4, 6C1, 6C2, 6C3, 6C4, 6D1, 6D2, 6D3, 6D4	00CE6	3500 K
		6C1, 6C2, 6C3, 6C4, 6D1, 6D2, 6D3, 6D4, 7A1, 7A2, 7A3, 7A4, 7B1, 7B2, 7B3, 7B4	00CF7	3200 K
		7A1, 7A2, 7A3, 7A4, 7B1, 7B2, 7B3, 7B4, 7C1, 7C2, 7C3, 7C4, 7D1, 7D2, 7D3, 7D4	00CE7	3000 K
		7C1, 7C2, 7C3, 7C4, 7D1, 7D2, 7D3, 7D4, 8A1, 8A2, 8A3, 8A4, 8B1, 8B2, 8B3, 8B4	00CF8	2900 K
		8A1, 8A2, 8A3, 8A4, 8B1, 8B2, 8B3, 8B4, 8C1, 8C2, 8C3, 8C4, 8D1, 8D2, 8D3, 8D4	00CE8	2700 K
Q5	107	6A1, 6A2, 6A3, 6A4, 6B1, 6B2, 6B3, 6B4, 6C1, 6C2, 6C3, 6C4, 6D1, 6D2, 6D3, 6D4	00DE6	3500 K
		6C1, 6C2, 6C3, 6C4, 6D1, 6D2, 6D3, 6D4, 7A1, 7A2, 7A3, 7A4, 7B1, 7B2, 7B3, 7B4	00DF7	3200 K
		7A1, 7A2, 7A3, 7A4, 7B1, 7B2, 7B3, 7B4, 7C1, 7C2, 7C3, 7C4, 7D1, 7D2, 7D3, 7D4	00DE7	3000 K
		7C1, 7C2, 7C3, 7C4, 7D1, 7D2, 7D3, 7D4, 8A1, 8A2, 8A3, 8A4, 8B1, 8B2, 8B3, 8B4	00DF8	2900 K
R2	114	6A1, 6A2, 6A3, 6A4, 6B1, 6B2, 6B3, 6B4, 6C1, 6C2, 6C3, 6C4, 6D1, 6D2, 6D3, 6D4	00EE6	3500 K

For other flux and chromaticity combinations, contact Cree or an authorized distributor.

\* Cree XLamp XP Family order codes specify only a minimum flux bin and not a maximum. Cree may ship reels in flux bins higher than the minimum specified by the order code without advance notice. Shipments will always adhere to the chromaticity or DWL bin restrictions specified by the order code.