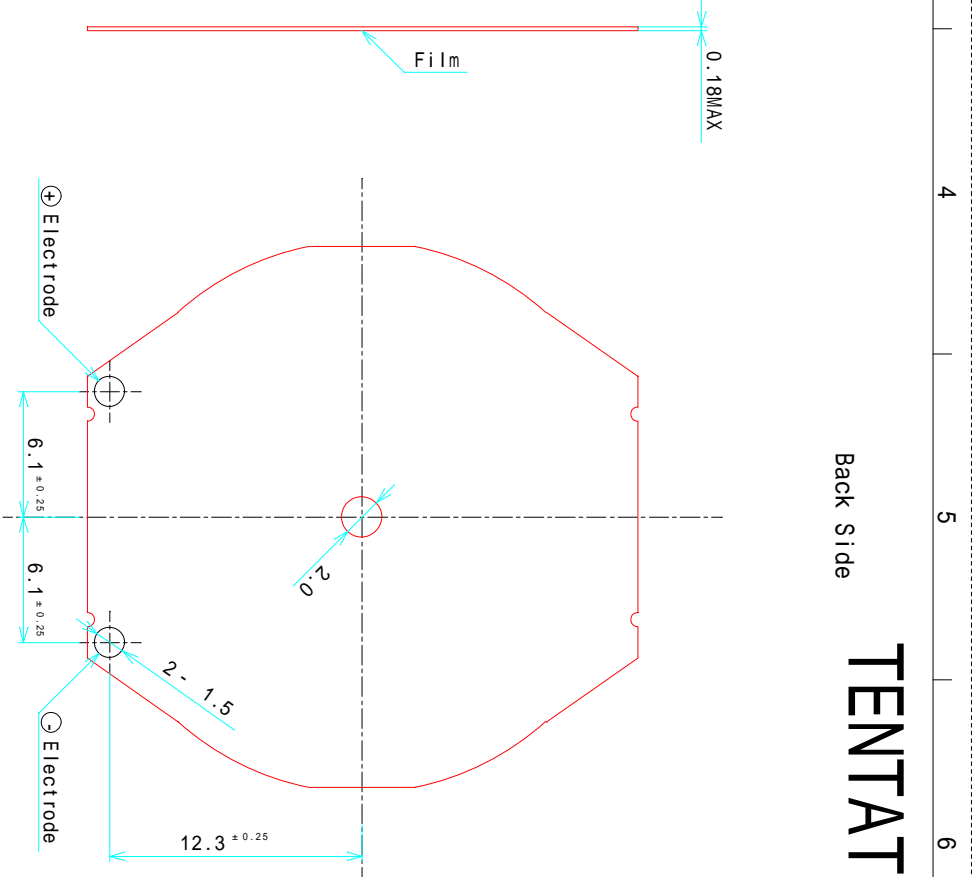
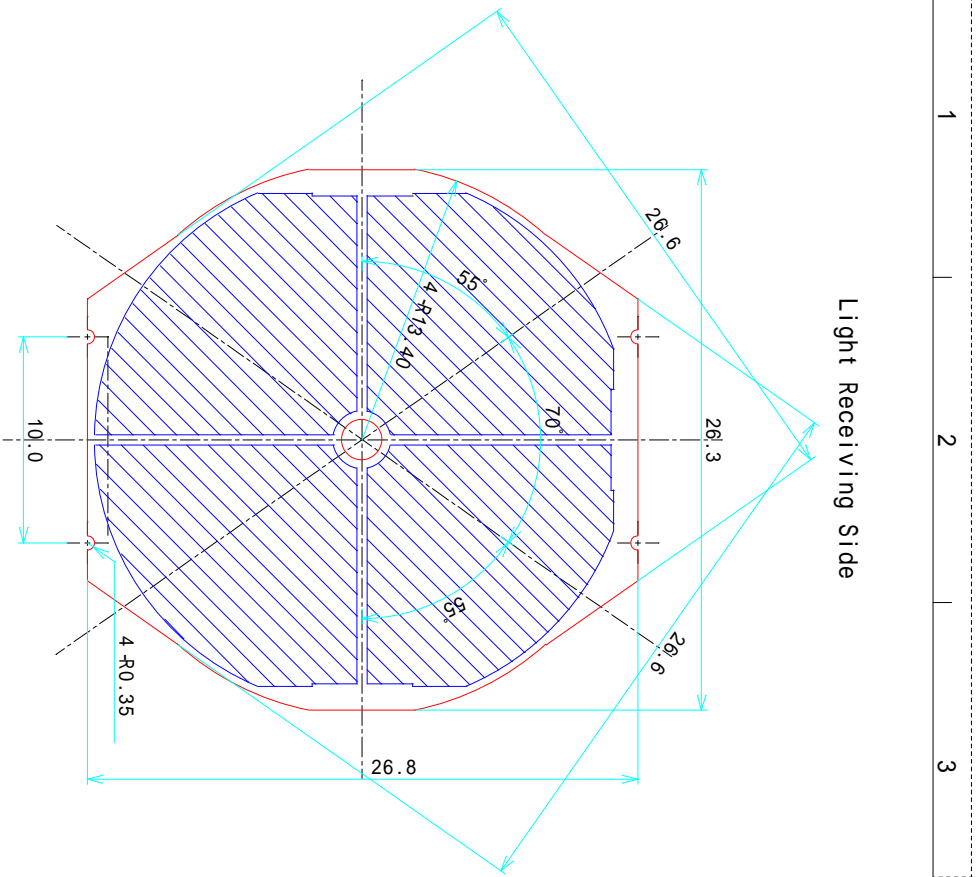


DO NOT SCALE DRAWING



GENERAL TOLERANCE : ± 0.1
WARP : 2.0 MAX

Light Receiving Side

Back Side

TENTATIVE

SPECIFICATIONS (at 200Lx, FL, 25)	
OPEN CIRCUIT VOLTAGE	TYPICAL 2.4 V
SHORT CIRCUIT CURRENT	TYPICAL 19.4 μA
OPERATION	TYPICAL 1.5V - 18.5 μA MINIMUM 1.5V - 16.2 μA

DR.	DATE	Jul. 14, 2007	ORIGINAL DRAWING	SCALE	4 / 1
CHK.	TOLERANCE		DECIMALS		
ENG.	FRACTIONS		ANGLES		
APP.	DIMENSION	: mm			

REV. NO.	DATE	DESCRIPTION
1		

FINISH	FILM	TITLE	FILM SOLAR CELL
MATERIAL		MODEL	AT-2400B
WEIGHT		TENTATIVE NO.	BF338