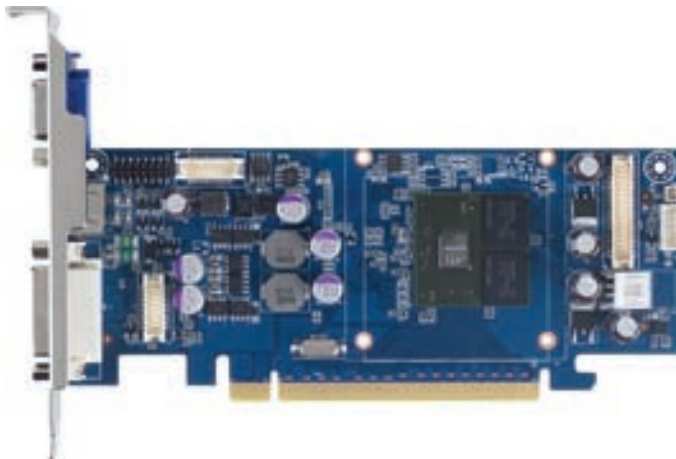


AD-8001

AMD M72-CSP128 PCI-E Low Profile VGA Card



Features

- Onboard AMD M72-CSP128 GPU
- On Chip 128MB Graphics Memory
- Onboard VGA, DVI-I, S-Video connectors
- Optional Dual VGA Displays
- Low-Profile form factor
- Supports DirectX 10, OpenGL 2.0, Shader Model 4.0
- Supports HDMI (Optional)

Specifications

System

GPU	AMD M72-CSP128
Bus Type	PCI Express x 16
Graphics Memory	128 MB DDR3 on chip (2 pcs of 16M x 32-bit)
Core Clock	600 MHz
Memory Clock	700 MHz

Multimedia

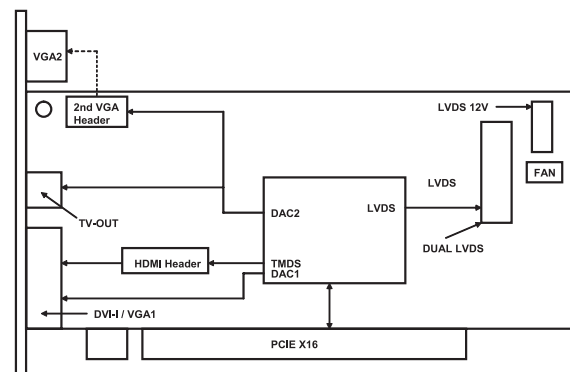
Resolution	2048 x 1536 @ 85Hz
Dual Display	LP: VGA+TV-Out, DVI-I+TV-Out ATX: VGA / TV-Out+DVI-I+LVDS, VGA/TV-Out+VGA+LVDS+HDMI(optional)
Output Connectors	VGA1/DVI-I, VGA2, TV-Out
HDMI	By cabling connector on ATX bracket (optional)
LVDS	LVDS 24Bit Dual Channel
DVI	Default single DVI
TV-Out	S-Video
Primary VGA	Co-layout with DVI-I
Secondary VGA	By cabling connector on ATX bracket
HD Audio	Integrated with HDMI cable (optional)

Mechanical & Environmental

Power Requirement	25W
Bracket Connectors	VGA1/DVI-I, VGA2, TV-out
Card Form Factor	Low Profile
Bracket Form Factor	ATX
Card Size (L x W)	167.6 mm x 68.9 mm (Low-Profile PCI-E)

System Requirements

Hardware	PCI Express compliant motherboard
Compatible OS	Windows XP and XP x64, Windows 2000, Windows Vista (XDDM) and Vista x64 (XDDM)
Graphics API	<ul style="list-style-type: none"> • DirectX 10 and DX 9 • Open GL 2.0 support • Shader Model 4.0



AD1011

AD1011 DVI Card



Specifications

Chip	Chrontel CH7307C
Max Resolution	1600 x 1200 @ 60Hz 16.7 Million Colors
Video Formats	DVI-I Analog Output
Pixel Rate	Max. 165 MPs
Connector	Two DVI-I connectors
Host Interface	Mechanically compliant with PCI-E standard Complies with the Intel ADD2 and Intel Serial Digital Video Output (SDVO) specifications
Card Form Factor	Low Profile (LP): 145 mm x 106 mm
Bracket Form Factor	ATX; separate low-profile bracket in option

ADD2-DVI-D

ADD2 DVI Card



Specifications

Chip	Silicon Image Sil1364
Max Resolution	1600 x 1200 @ 60Hz 16.7 Million Colors (24-bit)
Video Formats	DVI-D, digital output
Pixel Rate	Max. 165 MPs
Connector	Compliant with DDWG (Digital Display Working Group) and VESA specifications for a single-link digital DVI (DVI-D) connector
Host Interface	Mechanically compliant with PCI-E standard Complies with the Intel ADD2 and Intel Serial Digital Video Output (SDVO) specifications
Card Form Factor	Low Profile (LP): 145 mm x 70.5 mm
Bracket Form Factor	ATX; separate low-profile bracket in option

ADD2-DVI-A

ADD2 DVI Card w/Analog Signal



Specifications

Chip	Chrontel 7317A
Max Resolution	1600 x 1200 @ 60Hz 16.7 Million Colors (24-bit)
Video Formats	RGB, Analog output (can convert to DVI or VGA)
Pixel Rate	Max. 165 MPs
Connector	Compliant with DDWG (Digital Display Working Group) and VESA specifications for a single-link digital DVI (DVI-A) connector
Host Interface	Mechanically compliant with PCI-E standard Complies with the Intel ADD2 and Intel Serial Digital Video Output (SDVO) specifications
Card Form Factor	Low Profile (LP): 145 mm x 70.5 mm
Bracket Form Factor	ATX; separate low-profile bracket in option

ADD2-LVDS

ADD2 LVDS Card



Specifications

Chip	Chrontel CH7308A
Max Resolution	1400 x 1050 @ 60Hz 16.7 Million Colors (24-bit), and 1600 x 900 @ 16:9 ratio
Video Formats	18 / 24-bit LVDS, digital output
Pixel Rate	Max. 140 MPs
Connector	LVDS: HIROSE DF13-40DP-1.25V (40 pin), or compatible parts Inverter power: 4-pin, pitch 2.0mm WAFER Aux. inverter power: 5-pin, pitch 2.0mm WAFER
Host Interface	Mechanically compliant with PCI-E standard Complies with the Intel ADD2 and Intel Serial Digital Video Output (SDVO) specifications
Card Form Factor	Low Profile (LP): 145 mm x 70.5 mm
Bracket Form Factor	ATX; separate low-profile bracket in option

ADD2-HDMI

ADD2 HDMI Card



Specifications

Chip	Silicon Image Sil1390
Max Resolution	1600 x 1200 @ 60Hz 16.7 Million Colors (24-bit) Supports HDMI video formats (480i/480p/576i/576p/720i/720p/1080i/1080p)
Video Formats	HDMI 1.1, digital output
Pixel Rate	Max. 165 MPs
Connector	HDMI connector
Host Interface	Mechanically compliant with PCI-E standard Complies with the Intel ADD2 and Intel Serial Digital Video Output (SDVO) specifications
Card Form Factor	Low Profile (LP): 149 mm(W) x 68.5 mm (H)
Bracket Form Factor	ATX; separate low-profile bracket in option

ADD2-VGA

ADD2 VGA Card



Specifications

Chip	Chrontel 7317A
Max Resolution	1600 x 1200 @ 60Hz 16.7 Million Colors (24-bit)
Video Formats	RGB, analog output
Pixel Rate	Max. 165 MPs
Connector	CRT D-sub RGB connector
Host Interface	Mechanically compliant with PCI-E standard Complies with the Intel ADD2 and Intel Serial Digital Video Output (SDVO) specifications
Card Form Factor	Low Profile (LP): 145 mm x 70.5 mm
Bracket Form Factor	ATX; separate low-profile bracket in option