

Take a Look - We Are Close to You



Zenaro Retrofit –

● MSC Vertriebs GmbH / Head Office Stutensee

Industriestraße 16 - 76297 Stutensee
Tel. +49 7249 910 - 0 · Fax +49 7249 7993
Stutensee@msc-ge.com

● Sales Offices Germany

Berlin

Tel. +49 30 720089 - 0
Fax +49 30 720089 - 20
Berlin@msc-ge.com

Braunschweig

Tel. +49 5341 2999 - 0
Fax +49 5341 292043
Braunschweig@msc-ge.com

Duesseldorf

Tel. +49 211 92593 - 0
Fax +49 211 92593 - 88
Duesseldorf@msc-ge.com

Frankenthal

Tel. +49 6233 344 - 0
Fax +49 6233 344 - 210
Frankenthal@msc-ge.com

Hamburg

Tel. +49 4106 7764 - 0
Fax +49 4106 7764 - 88
Hamburg@msc-ge.com

Hannover

Tel. +49 511 616847 - 0
Fax +49 511 616847 - 70
Hannover@msc-ge.com

Jena

Tel. +49 3641 6825 - 0
Fax +49 3641 6825 - 66
Jena@msc-ge.com

Koblenz

Tel. +49 2630 96239 - 11
Fax +49 2630 96239 - 15
Koblenz@msc-ge.com

Munich

Tel. +49 89 945532 - 0
Fax +49 89 945532 - 90
MSC.Muenchen@msc-ge.com

Nuremberg

Tel. +49 911 43970 - 0
Fax +49 911 43970 - 30
Nuernberg@msc-ge.com

Rodgau

Tel. +49 6106 26769 - 0
Fax +49 6106 26769 - 11
Rodgau@msc-ge.com

Stuttgart

Tel. +49 711 78336 - 0
Fax +49 711 78336 - 210
Stuttgart@msc-ge.com

Wiesbaden

Tel. +49 611 97320 - 0
Fax +49 611 97320 - 88
Wiesbaden@msc-ge.com

● Sales Organisation Europe

AUSTRIA

MSC Vertriebs GmbH
Leobersdorf
Tel. +43 2256 63975-10
Fax +43 2256 63975-55
Wien@msc-ge.com

Velden

Tel. +43 4274 23222 - 17
Fax +43 4274 23222 - 20
Velden@msc-ge.com

CZECH REPUBLIC

MSC-Vertriebs-CZ s.r.o.
Blansko
Tel. +420 516 411494 - 15
Fax +420 516 411494
Blansko@msc-ge.com

Prague

Tel. +420 251 561 130
Fax +420 251 562 990
Praha@msc-ge.com

FRANCE

MSC France
Paris
Tel. +33 1 45128230
Fax +33 1 41809289
Paris@msc-ge.com

Strasbourg

Tel. +33 388 651843
Fax +33 388 657526
Strasbourg@msc-ge.com

Lyon

Tel. +33 4 72 756020
Fax +33 4 72 909234
Lyon@msc-ge.com

HUNGARY

MSC Budapest Kft.
Tel. +36 1250 90 - 40
Fax +36 1250 90 - 41
Budapest@msc-ge.com

ITALY

MSC Italia srl
Tel. +39 039 63089-1
Fax +39 039 63089-220
Italy@msc-ge.com

MALTA

MSC (Malta) LTD.
Tel. +356 21 484804
Fax +356 21 484803
Malta@msc-ge.com

NETHERLANDS

MSC Nederland BV
Tel. +31 78 6920 - 150
Fax +31 78 6920 - 151
Netherlands@msc-ge.com

POLAND

MSC Polska Sp. z o.o.
Tel. +48 323 3054 - 50
Fax +48 323 3054 - 52
Gliwice@msc-ge.com

ROMANIA

MSC-Mibatron s.r.l.
Bucharest
Tel. +40 31 1023466
+40 21 2302530
Fax +40 21 2302521
Bucuresti@msc-ge.com

SLOVAKIA

MSC-Vertriebs-SK s.r.o.
Zilina
Tel. +421 41 5001243
Fax +421 41 5652858
Zilina@msc-ge.com

SPAIN

MSC Iberia S.L.
Barcelona
Tel. +34 931 505 505
Fax +34 931 505 506
Barcelona@msc-ge.com

Madrid

Tel. +34 91 72169 - 51
Fax +34 91 72169 - 56
Madrid@msc-ge.com

SWEDEN

MSC Vertriebs GmbH
Malmö
Tel. +46 40 692 82 30
Fax +46 40 601 20 51
Sweden@msc-ge.com

● Sales Representative

SWITZERLAND

MSC-Gleichmann Schweiz AG
Rotkreuz
Tel. +41 41 785 8200
Fax +41 41 785 8209
Rotkreuz@msc-ge.com

Biel/Bienne

Tel. +41 32 366 8565
Fax +41 32 366 8566
Biel@msc-ge.com

Montreux

Tel. +41 21 965 3500
Fax +41 21 965 3501
Montreux@msc-ge.com

Volkswil

Tel. +41 43 35533 - 66
Fax +41 43 35533 - 77
Volkswil@msc-ge.com

TURKEY

MSC Vertriebs GmbH
Istanbul
Tel. +90 216 411 - 2333
Fax +90 216 411 - 3935
Turkey@msc-ge.com

UNITED KINGDOM

MSC-Gleichmann UK Ltd
Brighton
Tel. +44 1273 622446
Fax +44 1273 622533
Brighton@msc-ge.com

Milton Keynes

Tel. +44 1908 263999
Fax +44 1908 263003
Miltonkeynes@msc-ge.com

Weybridge

Tel. +44 1932 268990
Fax +44 1932 848610
Weybridge@msc-ge.com

MSC (Scotland) LTD.

Tel. +44 1506 460555
Fax +44 1506 461444
Livingston@msc-ge.com



LED Retrofit Innovation in Lighting Technology

- Energy Savings
- Climate Protection
- Absence of Hazardous Materials
- Recycling
- Long Life
- Maintenance-Free Operation

MSC – Excellence in LEDs



Additional information on LED lighting, light planning and lighting designs is available at MSC Vertriebs GmbH. Contact: Lighting-msc@msc-ge.com Our specialists will be glad to support you on site for your light planning solution.



MSC – Excellence in LEDs

Lighting-Zenaro@msc-ge.com · Tel. +49 711 78336-119 · Fax +49 711 78336-211

MICROCOMPUTERS
SYSTEMS
COMPONENTS
VERTRIEBS GMBH

www.msc-ge.com

© MSC. All rights reserved. Although great care has been taken in preparing this printed matter, MSC can not be held responsible for any errors or omissions. All information in here is subject to change without notice. All hardware and software names used are trade names and/or trademarks of the respective manufacturer. The products highlighted act as examples only. Therefore they may vary in comparison to the originals.

VIII_0_2010-F5-F5-512 ©MSC



MICROCOMPUTERS • SYSTEMS • COMPONENTS • VERTRIEBS GMBH

DISTRIBUTOR OF



Zenaro Retrofit – LED-Lighting Solutions Leading the Way to a Green Future

Up to 80% energy saving in comparison to the traditional illuminant.



SL-16D / MR-16

Applications

- Mood Lighting
- Architectural Lighting
- Display Case Accent
- Floodlight
- Spot Light
- Amusement Park Accent
- Residential Lighting
- Reading Light



SL-10A / GU10

Applications

- Mood Lighting
- Architectural Lighting
- Display Case Accent
- Floodlight
- Spot Light
- Amusement Park Accent



SL-A60 / A-bulb

Applications

- Indoor Lighting
- Residential Lighting
- Commercial Lighting



SL-PAR30 / PAR-30

Applications

- Indoor Lighting
- Outdoor Lighting
- Spot Lighting
- Office Lighting
- Commercial Lighting
- Architectural Lighting
- Amusement Park Lighting
- Garden Lighting
- Floodlight



SL-PAR38 / PAR-38

Applications

- Indoor Lighting
- Outdoor Lighting
- Spot Lighting
- Office Lighting
- Commercial Lighting
- Architectural Lighting
- Amusement Park Lighting
- Garden Lighting
- Floodlight

	SL-16D / MR-16	SL-10A / GU10	SL-60A / A-bulb
Power Consumption	5W	5W	8W
Operating Temperature	-20°C~+40°C	-20°C~+40°C	-20°C~+40°C
Light Color & Lumen	3000K (175lm) / 5000K (225lm)	3000K (180lm) / 5000K (200lm)	3000K (330lm) / 5000K (400lm)
View Angle	30° / 50°	30°	
Input Voltage	12V AC/DC	100~240V AC	100~240V AC
CRI	80 / 75	80 / 75	80 / 75
Socket Base	GU5.3	GU10	E27 / E26
Weight	35 g	65 g	180 g

	SL-PAR30 / PAR-30	SL-PAR38 / PAR-38
Power Consumption	11W	17W
Operating Temperature	-20°C~+40°C	-20°C~+40°C
Light Color & Lumen	3000K (480lm) / 5000K (660lm)	3000K (650lm) / 5000K (870lm)
View Angle	20° / 30° / 50°	20° / 30° / 50°
Input Voltage	100~240V AC	100~240V AC
CRI	80 / 75	80 / 75
Socket Base	E27 / E26	E27 / E26
Weight	410 g	580 g



SL-16D / MR16 LED Lamp



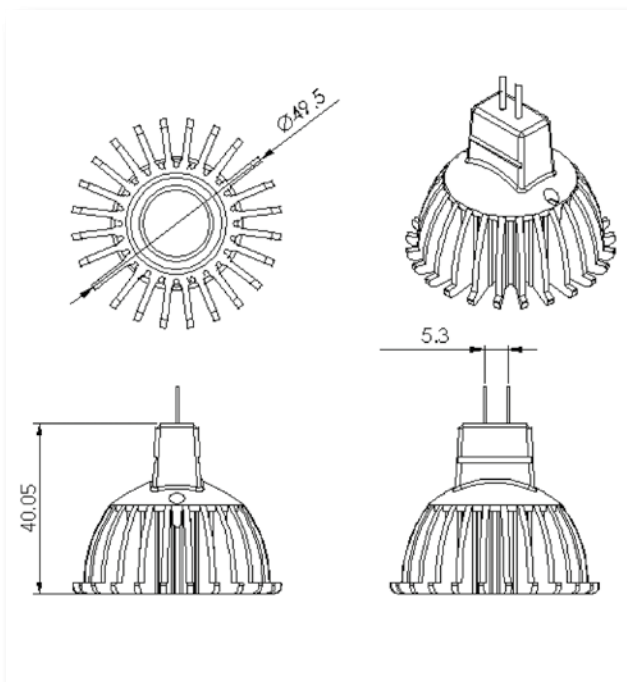
Features

- No UV or IR light radiation
- Provide 30° and 50° beam angles
- Optimized heat fins with sleek design
- Current controlled LED driver integrated
- 12 V AC/DC input
- Operating temperature: -20°C~+40°C
- Long lifetime: 25000 hours (L70)
- GU5.3 bi pin cap
- Power consumption: 5 W

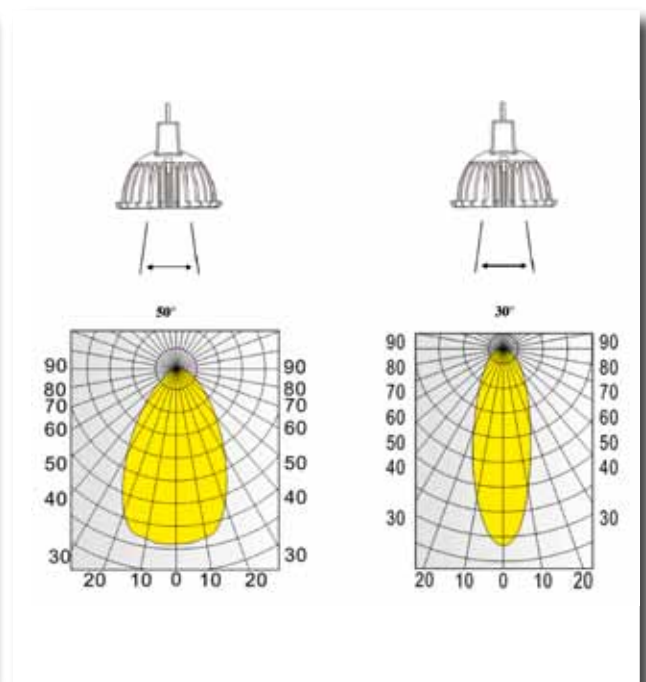
Product Specifications

Model	Beam Angle	CCT	lm	cd
SL-16D/012ADC/B/P05/30/E30 Series	30°	3000K	180	380
SL-16D/012ADC/B/P05/30/E50 Series	30°	5000K	225	535
SL-16D/012ADC/B/P05/50/E30 Series	50°	3000K	170	205
SL-16D/012ADC/B/P05/50/E50 Series	50°	5000K	220	255

Product Dimensions



Intensity Distribution



SL-10A / GU10 LED Lamp



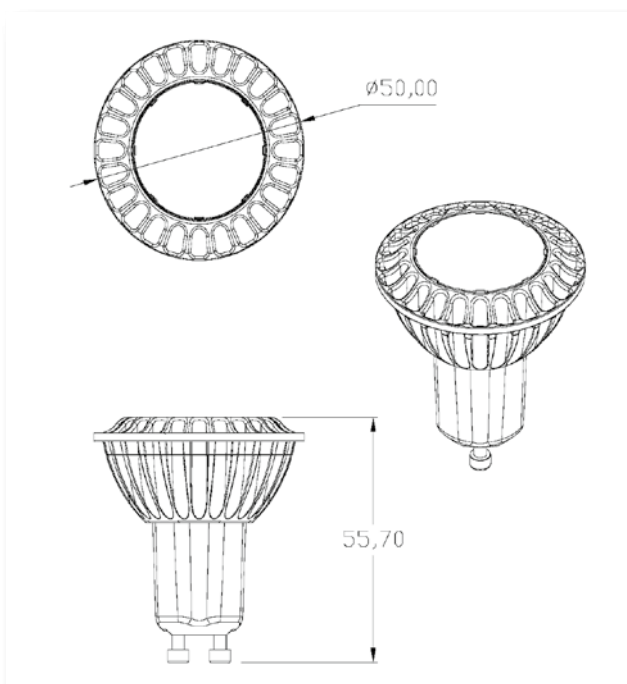
Features

- No UV or IR light radiation
- Provide 30° beam angle
- Optimized heat fins with sleek design
- Current controlled LED driver integrated
- Universal input voltage
- Operating temperature: -20°C~+40°C
- Long lifetime: 25000 hours (L70)
- GU10 bayonet cap
- Power consumption: 5 W

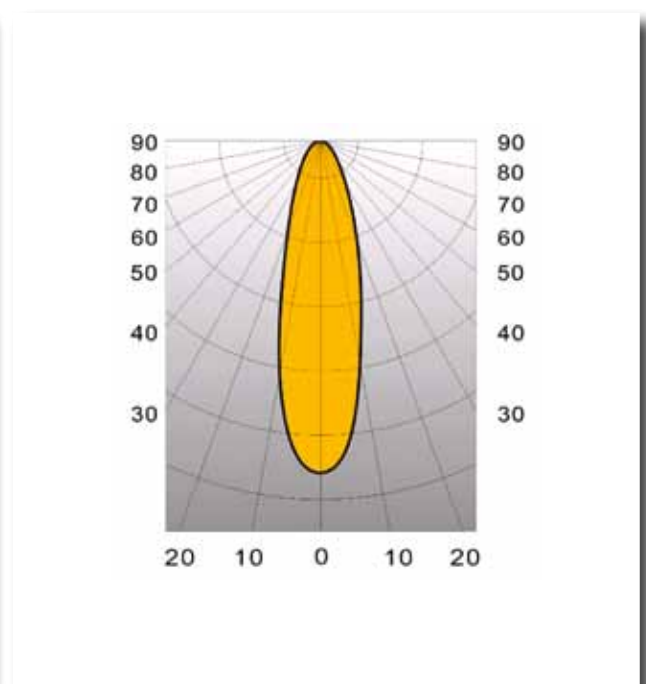
Product Specifications

Model	Beam Angle	CCT	lm	cd
SL-10A/C/P05/30/E30 Series	30°	3000K	180	425
SL-10A/C/P05/30/E50 Series	30°	5000K	200	430

Product Dimensions



Intensity Distribution



SL-60A / A-bulb LED Lamp



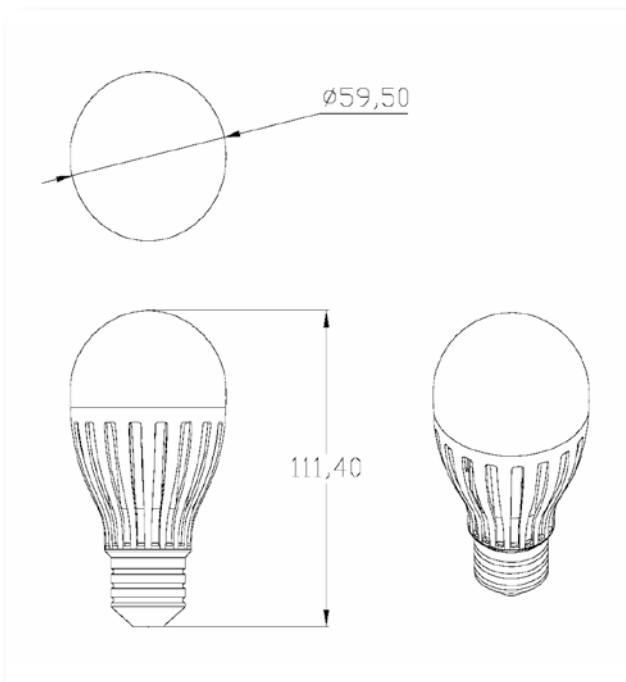
Features

- No UV or IR light radiation
- Optimized heat fins with sleek design
- Current controlled LED driver integrated on PCB
- Operating temperature: -20°C~+40°C
- Long lifetime: 40000 hours (L70)
- E26 / E27 screw mount cap
- Optional triac dimmable and remote dimmable functions will be available soon
- Power consumption: 8 W

Product Specifications

Model	Beam Angle	CCT	lm
SL-60A/C/P08/OM/E30/ND Series	OM	3000K	330
SL-60A/C/P08/OM/E50/ND Series	OM	5000K	400

Product Dimensions



Intensity Distribution

